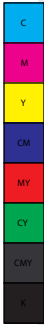




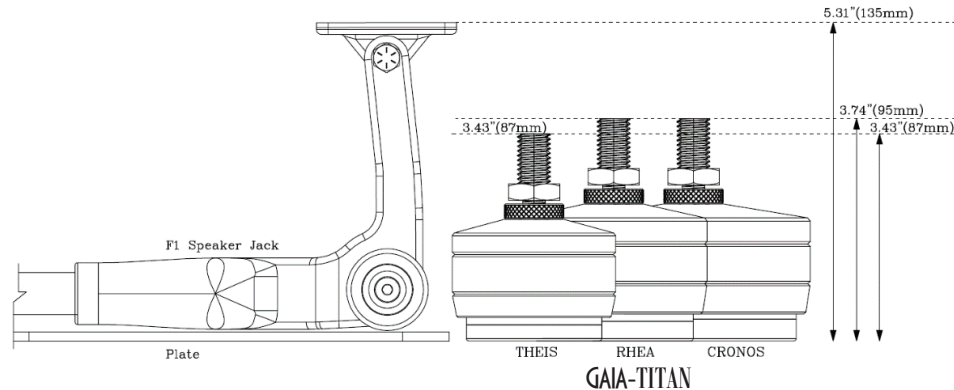
# F1 Speaker Jack Instructions



IsoAcoustics Inc.  
39 Main St. N Unit 5  
Markham, ON, L3P 1X3, Canada  
[www.isoacoustics.com](http://www.isoacoustics.com)



The F1 Speaker Jack is a tool designed to assist with raising the side of a speaker for the installation of the GAIA-TITAN isolators. Assistance is required to stabilize the speaker.



**Parts include:**

- Floor Plate
  - Designed to protect the flooring and provides a smooth surface for rolling the F1 Speaker Jack on any surface including carpet.
- Handle
  - 2 part stainless steel handle provides enough leverage to lift heavy speakers with ease.
- F1 Jack Frame
  - Solid Stainless Steel F1 Jack frame. The “Over Square” design allows the speaker to stay in the raised position while the handle is flat against the floor.

**F1 Jack Assembly:**

**Step #1**

Thread the top and bottom handles together.

**Step #2**

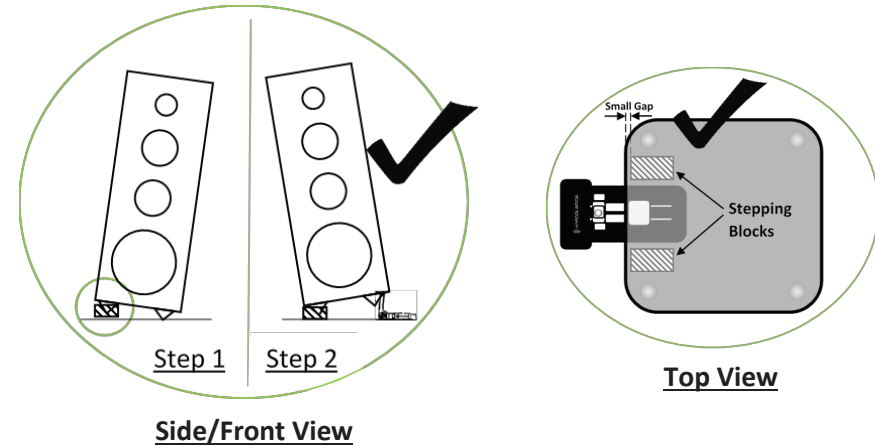
Thread the handle into the F1 Jack frame.



**Appendix B**

**Stepping Block – 2”x4” Wood block (Not included)**

Stepping Blocks are recommended when a speaker is narrow or low to the ground. The stepping blocks reduce the tilt angle of the speaker during the installation process. This will prevent tilting the speaker too far and will make it easier to position the F1 Jack underneath the speaker.



**Stepping Block Instructions**

Follow step 1 described in instructions above to position the F1 Jack underneath the side of the speaker.

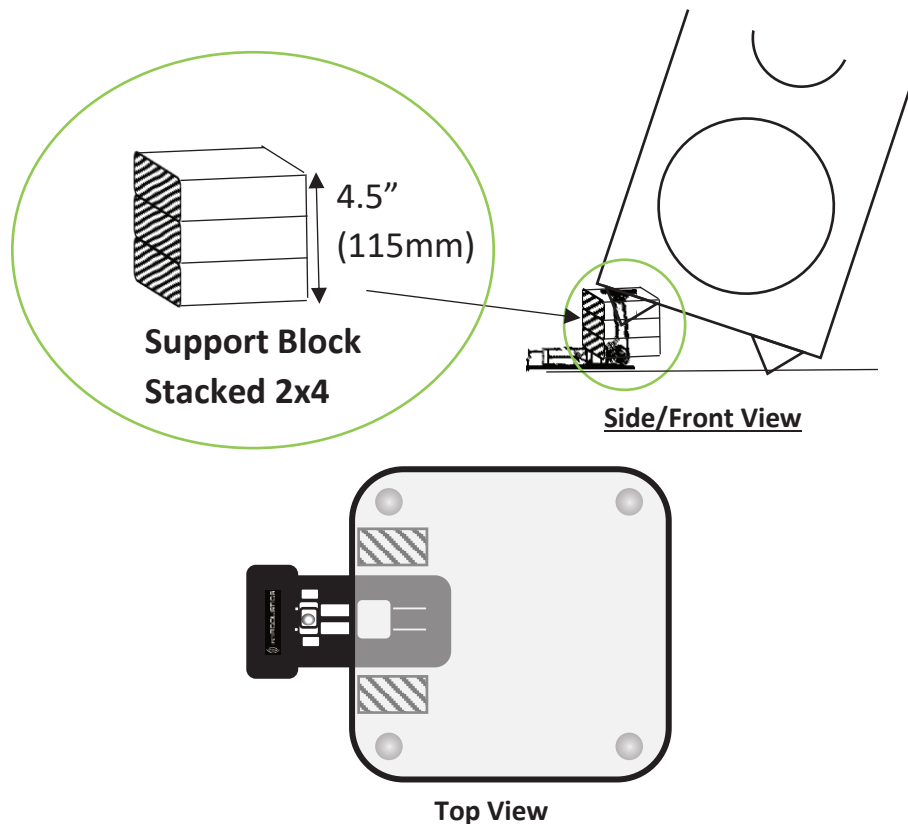
**Raise one side of the speaker on 2x4 wood blocks**

- While the speaker is stabilized, slowly raise the speaker slightly using the F1 Jack and slide the 2x4 wood stepping blocks underneath the speaker. Position the stepping blocks underneath the speaker with one on each side of the F1 speaker jack. Ensure that the stepping blocks are not protruding out past the edge of the speaker. With the one side raised on the 2x4 blocks, start on the opposite side of the speaker and follow the F1 Jack Instructions steps 1 to 5 described earlier in this document.

# Appendix A

## Support Blocks (Recommended)

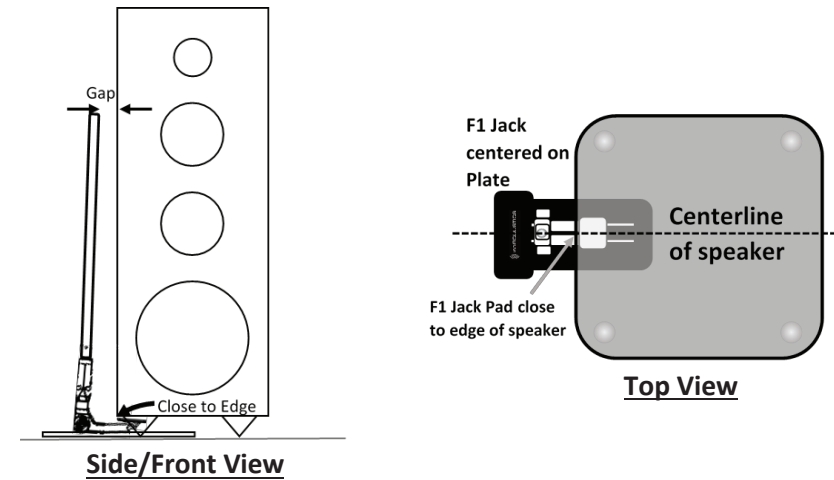
- Similar to using Jack stands underneath a raised car, Support Blocks (not included) are recommended to ensure the speaker is safely supported while in the raised position. Support blocks should be between 4.3" to 4.9" (110mm to 125mm) in height. We recommend three stacked pieces of 2"x4" wood for the support blocks.



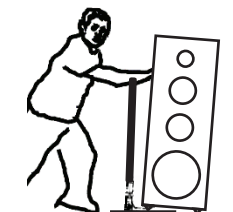
## F1 Speaker Jack Instructions

**CAUTION:** The F1 Speaker Jack is designed to assist with raising one side of the speaker at a time. Two or more people are required for the installation to ensure that the speaker is secure at all times.

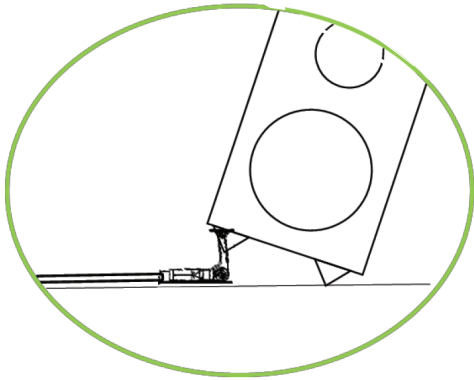
### Step #1 Positioning the F1 Jack underneath the speaker.



- Position the F1 Jack underneath the speaker, centered on top of the floor plate. The speaker may need to be tilted in order to create enough space to slide the F1 Jack underneath it.
- The F1 jack should be positioned in the middle of the side of the speaker so that the speaker is balanced on the F1 Jack when it is in the raised position.
- The top pad of the F1 Jack must be positioned close to the edge of the base of the speaker in a structurally solid location. Positioning close to the edge is important to ensure that there is space between the handle and the side of the speaker when jack is in the upright position

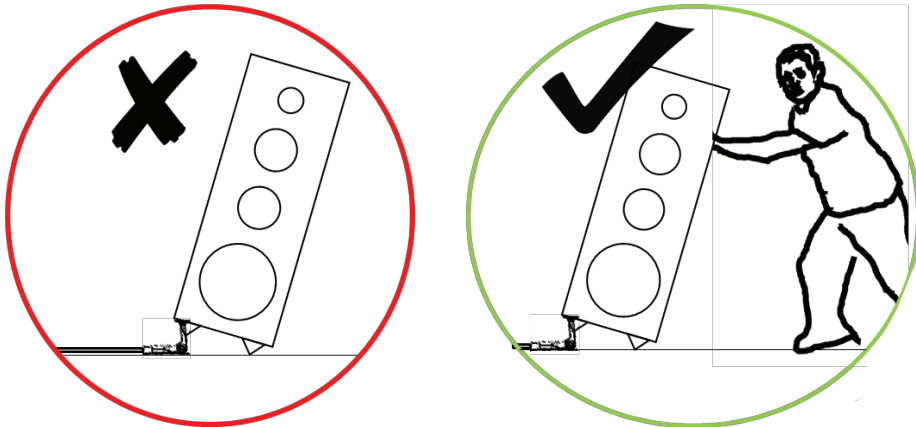


**Step #2 Raising the side of the speaker.**



- While one or two people stabilize the speaker, slowly lower the handle all of the way to the floor to carefully lift the side of the speaker.

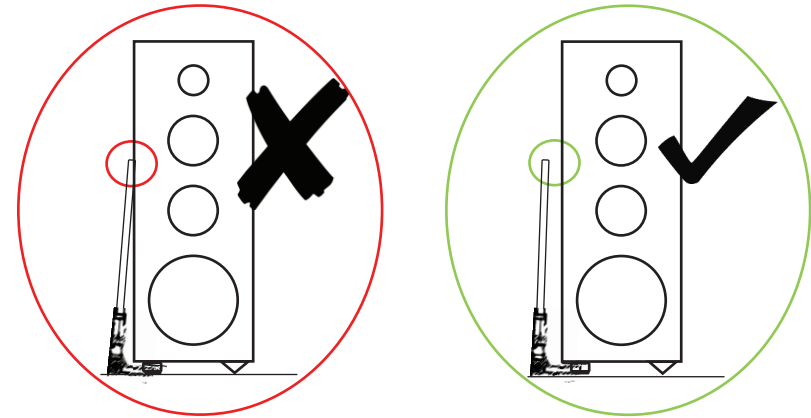
**CAUTION:** Raise speaker slowly. Be careful that the speaker is not raised too far. One or more people must be positioned on the opposite side to support the speaker. Use Stepping Blocks described in Appendix B if the raised height from the F1 Jack puts the speaker at risk of tilting over.



**Step #3 Install GAIA-TITAN**

- With one or two people stabilizing the speaker and holding the F1 Jack handle flat against the ground, remove existing feet/spikes and install the GAIA-TITAN in their place on one side at a time.

**Step #4 Lower speaker down**



- While stabilizing the speaker, slowly raise the handle to lower the side of the speaker all the way to the ground.

**Caution:** Maintain a strong grip on the handle while you raise it slowly. Be careful not to allow the handle to make contact with the side of the speaker.

**Step # 5**

- Repeat steps 1 to 4 to install the GAIA-TITAN on the opposite side of the speaker.