

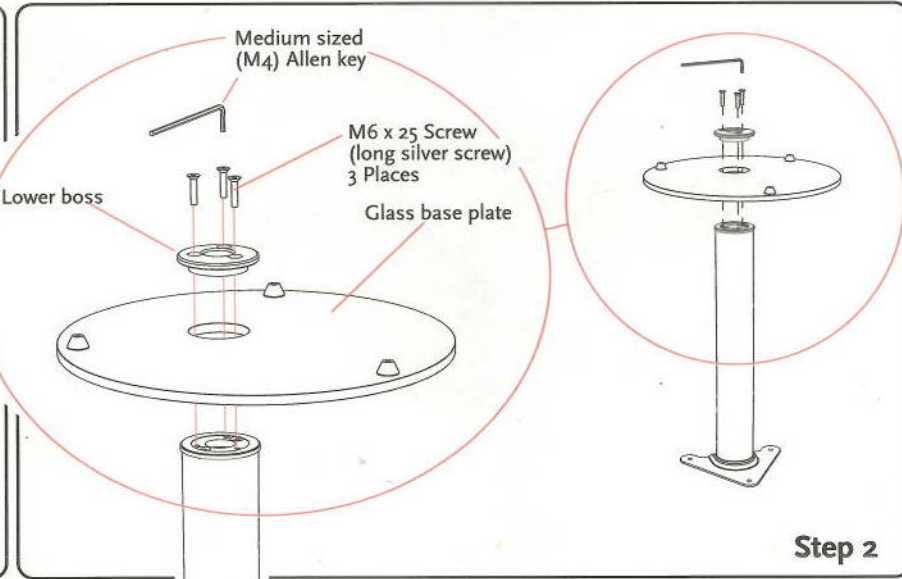
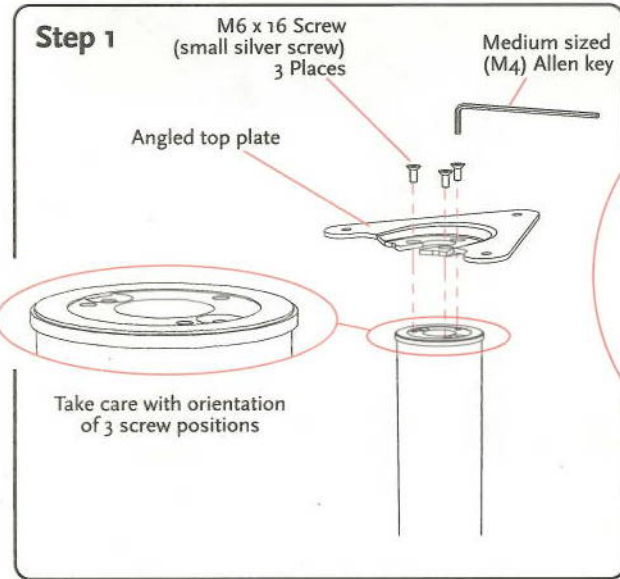


MERIDIAN



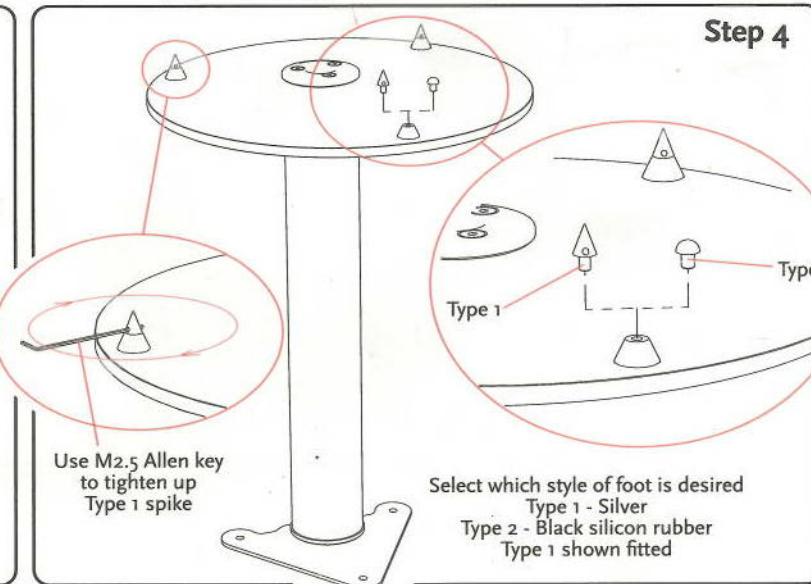
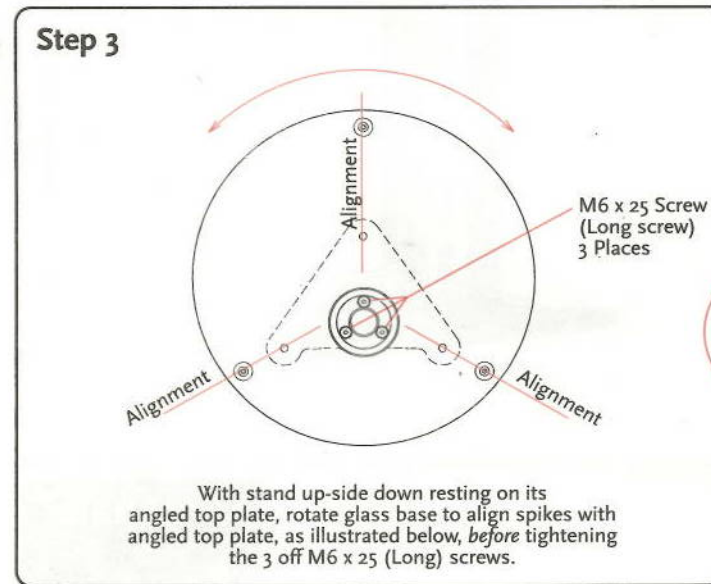
1

Step 1
Screw angled top plate in position as shown taking care to orientate correctly.



Step 2
Place stainless steel tube and angled top plate up-side down on the floor. Clamp glass base plate in position as illustrated with lower boss. Do not tighten screws just yet.

Step 3
Still with the assembly up-side down resting on angled top plate, orientate glass base as described then tighten screws.



Step 4
Select from accessory box desired style of foot. Screw in place. Type 1 - Silver needs to be tightened with supplied Allen key.

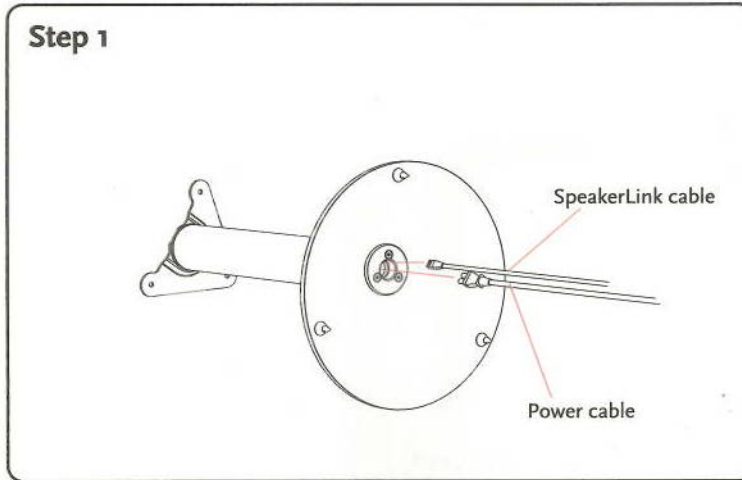
D3200 Loudspeaker Stand

Designed and Made in England by Meridian Audio Limited
© 2011, Meridian Audio

2

Step 1

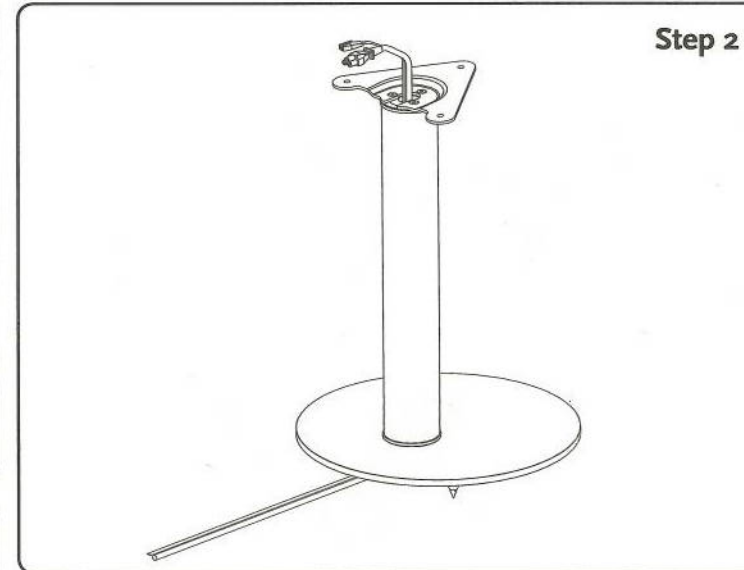
Slide cables up centre column of stand from the base. Fit power cord first.



Step 2

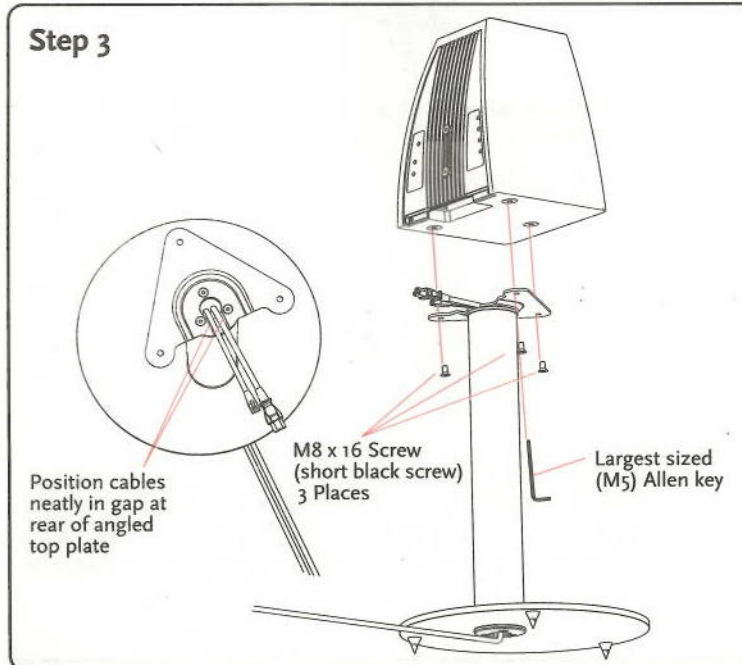
Step 2

Pull connectors gently approximately 150mm (6") out of centre column.



Step 3

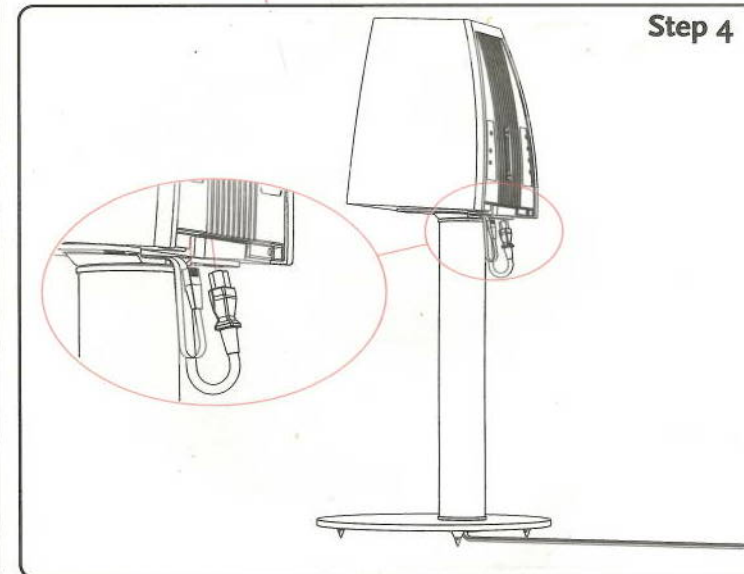
Fix cabinet to angled top plate with M8 x 16 screws (short black screws) using supplied Allen key. Be sure to position cables neatly in the gap at the rear of angled top plate



Step 4

Step 4

With cabinet securely in place, plug in cables. Any excess cable can be drawn back down the centre column.



D3200 Loudspeaker Stand

Designed and Made in England by Meridian Audio Limited

© 2011. Meridian Audio

P83404

3

D3200 Stand kit contents

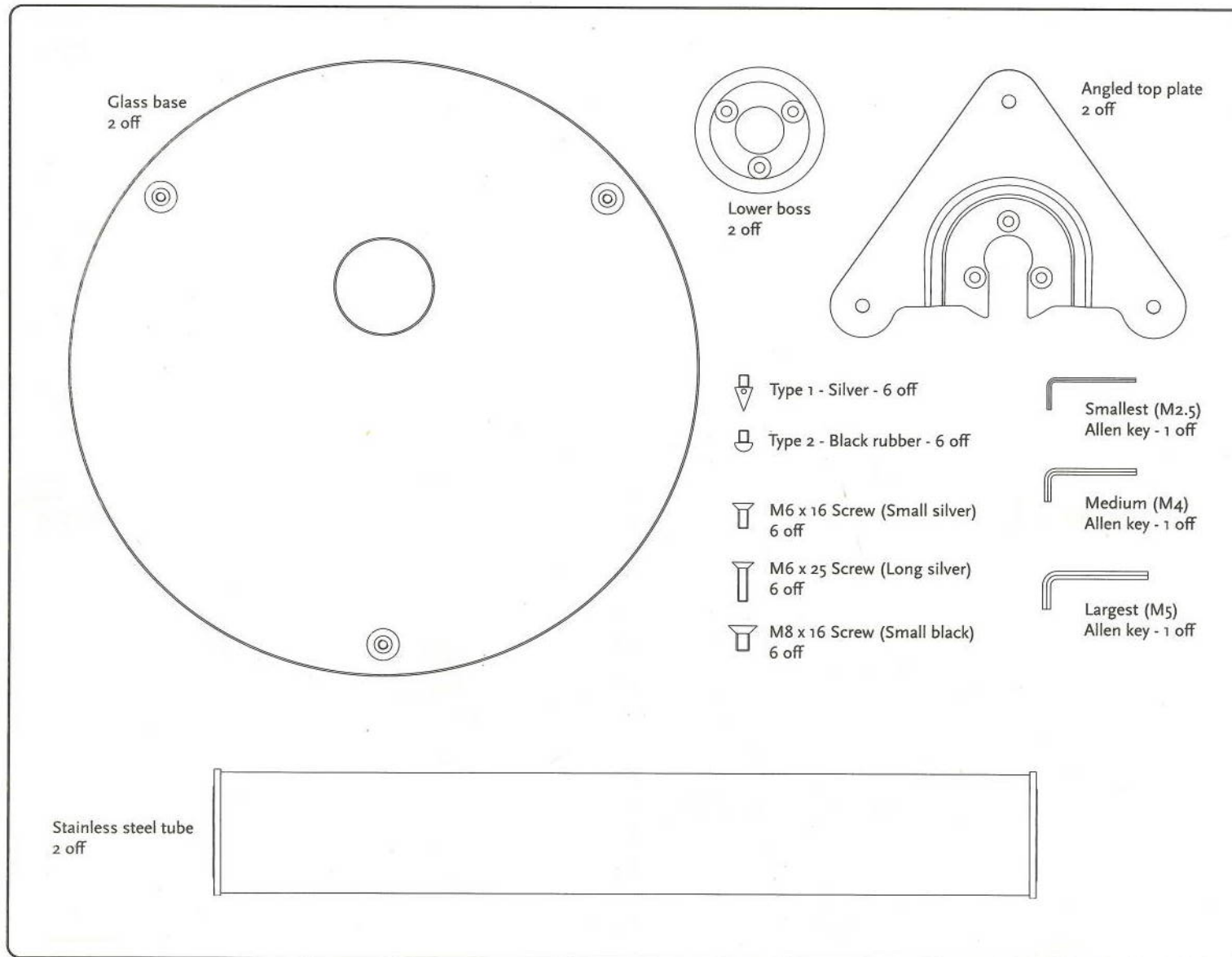
Meridian Loudspeaker Stand

Part Number : SP5543

CAUTION

This stand is for use only with Meridian Audio Loudspeaker Cabinets.

Not to be used with other manufacturers' products as this may result in instability causing possible injury!



D3200 Loudspeaker Stand

Designed and Made in England by Meridian Audio Limited

© 2011, Meridian Audio

P83405