



Climate Series 3G

Product Manual

Register your Climate Series 3G speakers
to ensure the best possible product and customer support

Register your speakers using the QR code
or visit [monitoraudio.com/registration](https://www.monitoraudio.com/registration)



Welcome to Climate Series 3G

Thank you for purchasing your Climate Series 3G speakers.

In this product manual, you'll find information about setting up your system and how to maintain your speakers for a lifetime of enjoyment.

If you need any further assistance, please contact our technical team at [monitoraudio.com/support](https://www.monitoraudio.com/support)

Contents

Unboxing	2
Preparing your installation	4
Mounting bracket	6
Wiring your speakers	8
Positioning and mounting speakers	10
Using your speakers	12
Care & maintenance	13
Warranty	14
Specifications	15

Unboxing

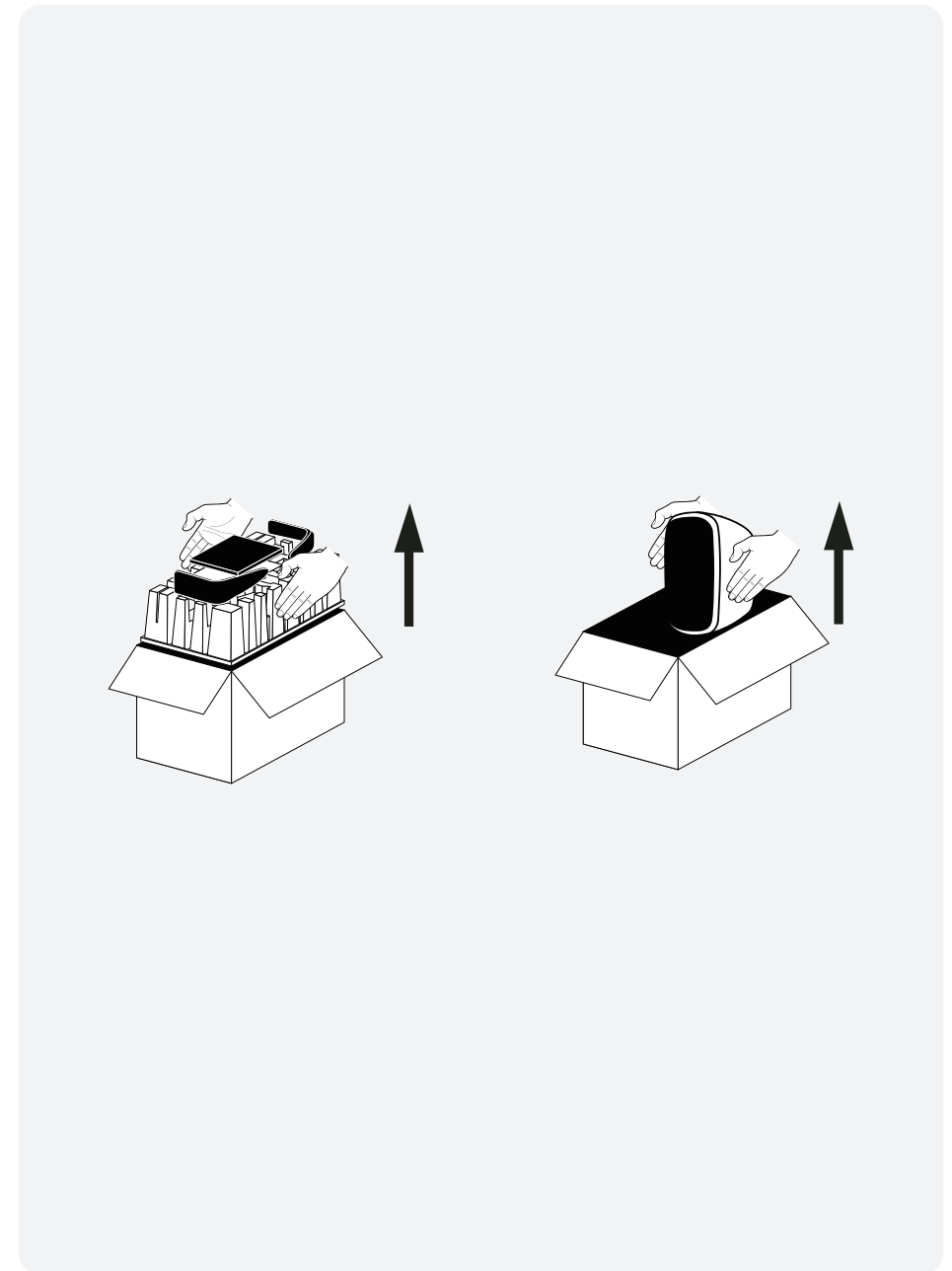
Before you unpack your speakers, please make sure that there is plenty of clean floor area available. Pictorial guides printed on the carton show you the ideal method for unpacking.

Inside the carton, you will find a pair of speakers and the following accessories:

- Brackets
- Quick start guide
- Safety instructions
- Bolts
- Torx tool

Lay the box down on the floor so the top of the carton is facing up. Remove the Accessories and Documents envelope. Remove the pulp top cap. Carefully lift each speaker out of the box, holding the sides of the cabinet.

Remove the loudspeakers from the protective bags.



Preparing your installation

Always determine where the Climate 3G speakers will be fixed and the structure of the wall. The Climate 3G speakers can be mounted in horizontal or vertical orientation.

Note: We do not supply wall fixing screws and plugs with the Climate Series 3G. Please only use suitable fixings for the type of wall construction the speakers will be fixed to. We recommend using countersunk screws maximum size M4.

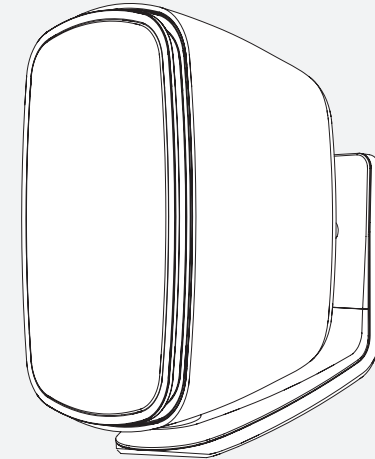


For safety reasons, if you are unsure of your ability to provide a secure and safe fixing, do not attempt to fix these speakers, please obtain the services of a competent and qualified tradesperson.

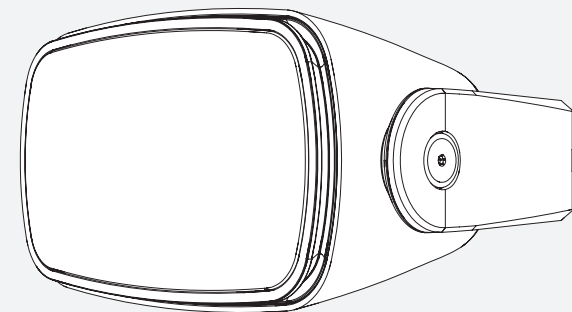


CAUTION: Ensure that there are no water pipes or electricity cables running within the wall or ceiling structure before cutting the speaker apertures. Work from secure steps and avoid trailing wires.

Vertical



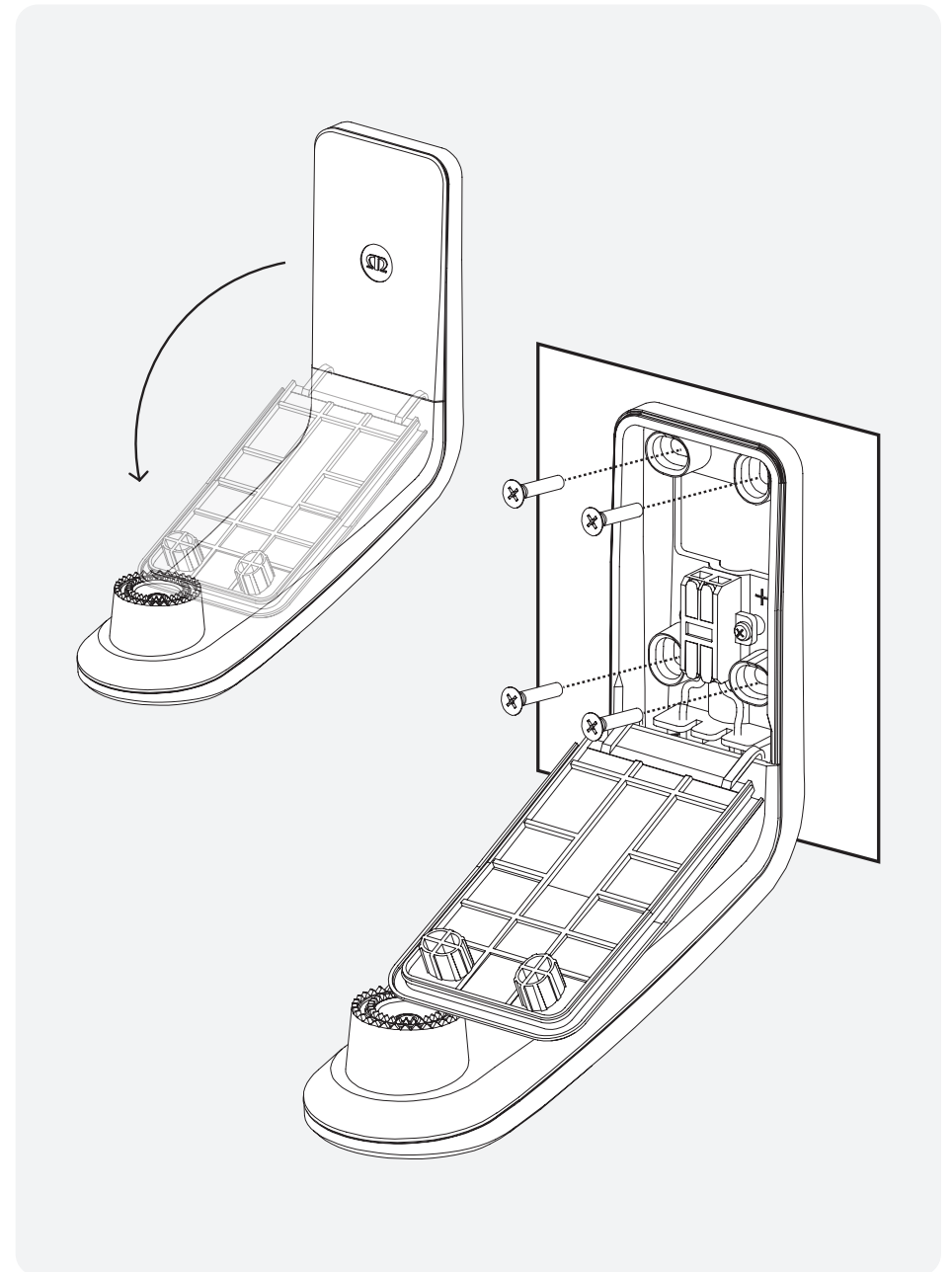
Horizontal



Mounting bracket

Peel back the wall bracket terminal cover to reveal the terminals and fixing points. The terminal cover will peel away at the top but remain connected at the bottom.

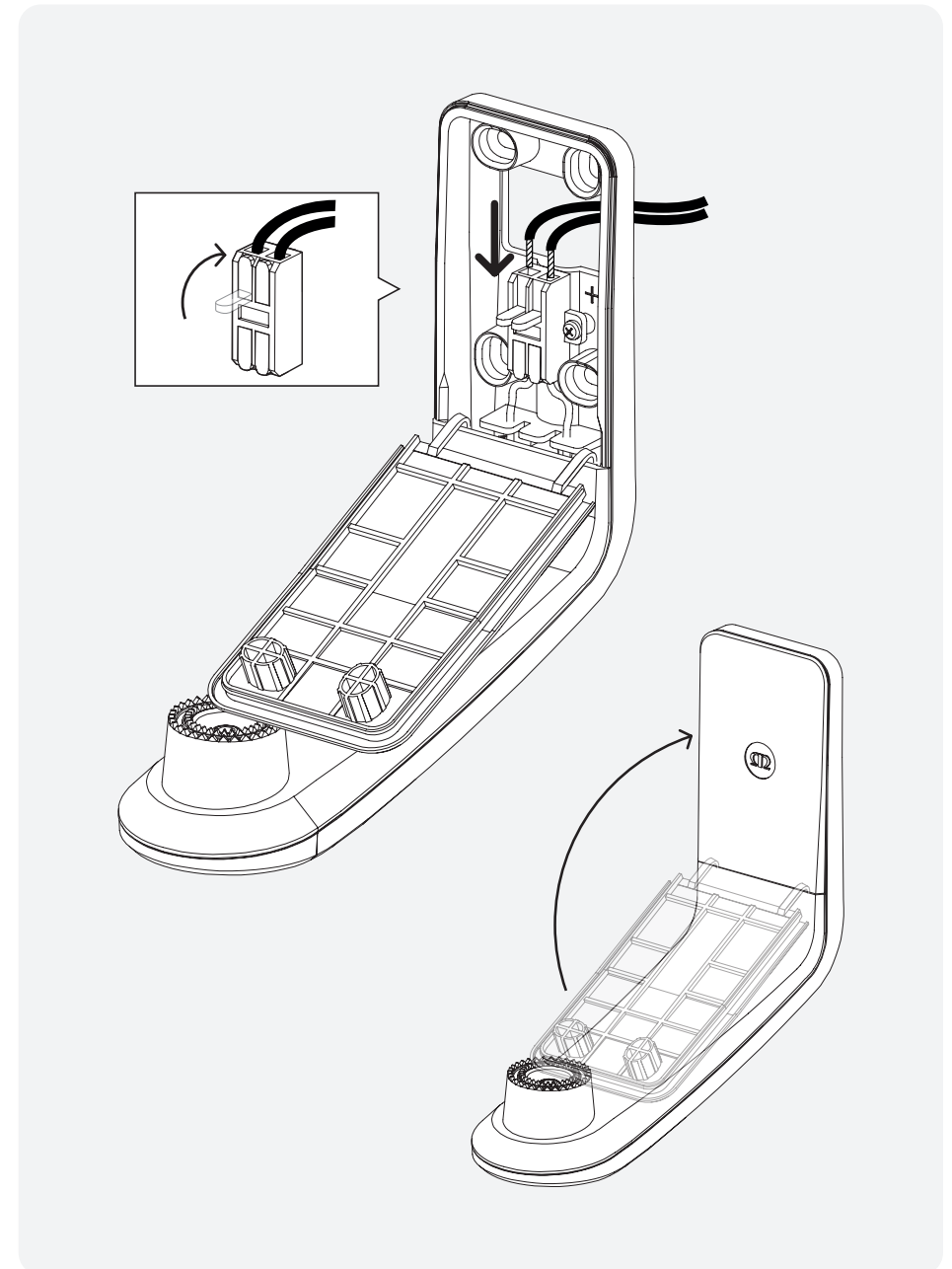
Fix the bracket to the wall with the appropriate screws and wall plugs for the wall construction (not included).



Wiring your speakers

The Climate 3G wall bracket has a channel on the back for external cable management (maximum cable thickness 4 mm) or the cable can be fed through the wall directly into the opening.

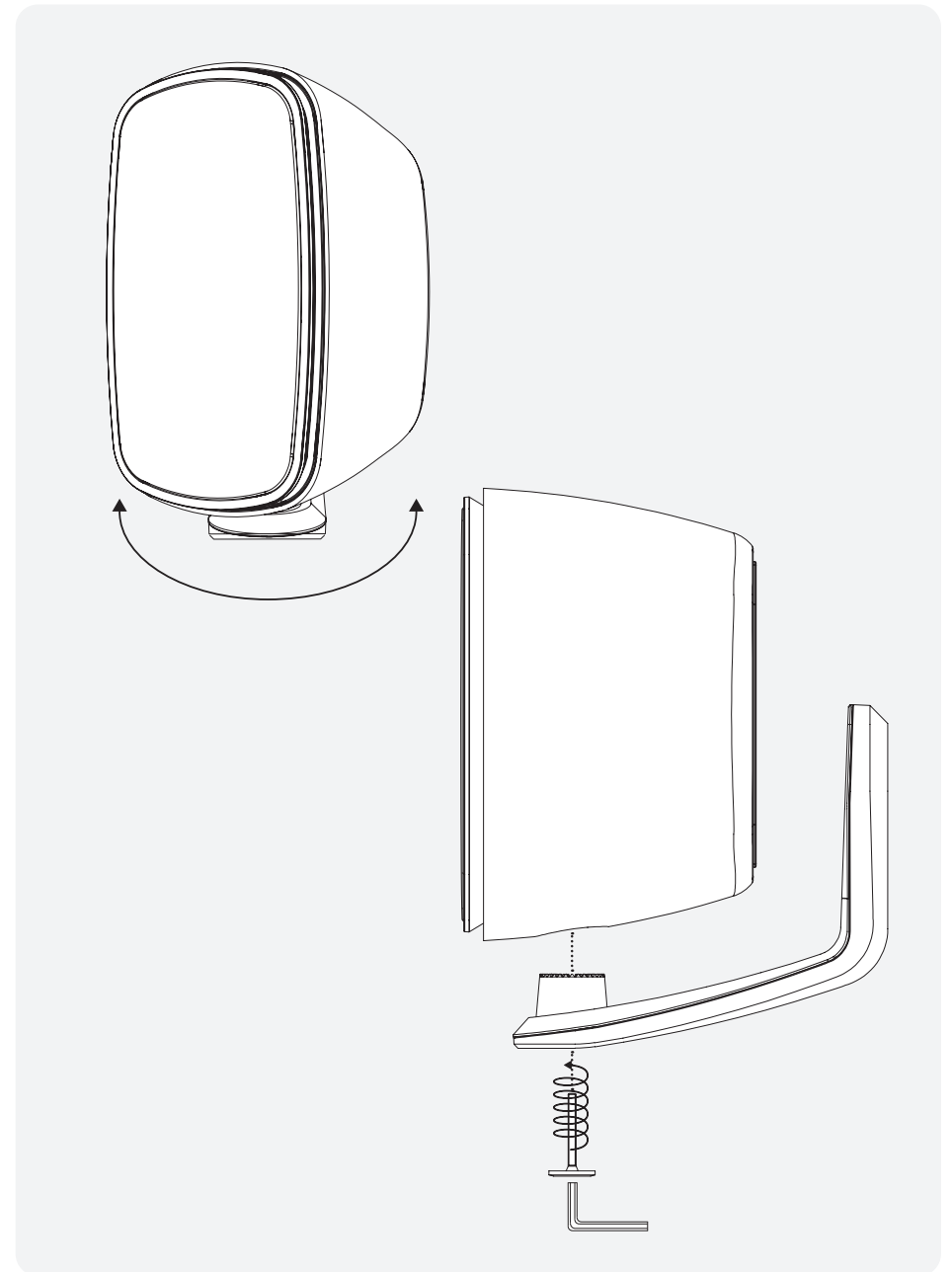
With the terminals still visible, feed the speaker cable through the opening and lock in place using the clamping terminals. There is a positive and negative terminal connection. Ensure to keep positive and negative connections matching from the amplifier.



Positioning and mounting speakers

Position the speaker on the bracket and set the desired angle. The interlocking teeth on the bracket and speaker insert provide 11 degree increments of movement and then prevent movement once locked into place.

Support the speaker in position and fix it in place using the supplied bolt and torx tool (size T25). If you wish to move away from the speaker to check the angle you can tighten the bolt partially to the point it is holding the speaker in place and then tighten fully once decided.



Running in your speakers

Run your speakers in by playing normal music at low-mid listening levels for approximately 50-70 hours play time. You may find the sound will continue to improve even after the 70 hour mark.

This can be done naturally over time: like a fine wine the performance will improve with age.

Upkeep of cabinets

Whilst the Climate Series 3G is weather resistant (IP66 rating) and can be kept outside all year, to help preserve the finish of your speakers it is suggested that during winter months (when playback is not as frequent or common) to cover or bring the speakers indoors. A damp cloth can be used to clean the product.

What is an IP66 rating?

The Ingress Protection Rating, also referred to as IP code or IP rating is an international standard which indicates the sealing effectiveness against water and dust.

Your Climate Series 3G speakers are IP66 rated. This means that they are dust and water tight.

Warranty

In the unlikely event that there is a defect with this product, it is covered by the Monitor Audio manufacturer's warranty, provided that the product was supplied by an authorised Monitor Audio retailer.

For the period of cover please refer to the product page on our website at monitoraudio.com

Register your Climate Series 3G speakers
to ensure the best possible product and customer support

Register your speakers using the QR code
or visit monitoraudio.com/registration



Specifications

Specification	CL2 S	CL2 M
System Format	2-way	2-way
Frequency Response, On-Wall (-6 dB)	56 Hz - 30 kHz	42 Hz - 30 kHz
Sensitivity (2.83 Vrms @ 1 m, Installed)	84 dB	85.5 dB
Nominal Impedance	6 Ohms	6 Ohms
Minimum Impedance (20 Hz to 20 kHz)	4.9 Ohms	4.8 Ohms
Maximum Peak SPL (AES75, Z-weighted)	108 dB	110 dB
Continuous Power Handling (CTA 426-B)	70 W	100 W
Recommended Amplifier Power (RMS, Music Signal)	150 W	200 W
Bass Alignment	Auxiliary Bass Radiator	Auxiliary Bass Radiator
Crossover Frequency	3.3 kHz	2.6 kHz
Drive Unit Complement	1x 4" C-CAM RST II mid-bass driver 1x 25 mm C-CAM tweeter	1x 6" C-CAM RST II mid-bass driver 1x 25 mm C-CAM tweeter
Available Finishes	Black White	Black White
Included Accessories	Brackets Quick start guide Safety instructions Bolts Torx tool	Brackets Quick start guide Safety instructions Bolts Torx tool
External Dimensions with all accessories fitted (H x W x D)	247 x 140 x 217 mm (9 ^{3/4} x 5 ^{1/2} x 8 ^{5/16} ")	332 x 190 x 240 mm (13 ^{7/16} x 7 ^{1/2} x 9 ^{7/16} ")
Weight (Product, Each)	2.7 kg (5 lb 15 oz)	4.1 kg (9 lb 1 oz)
IP rating	IP66	IP66

Listen Again.

Monitor Audio Ltd.
24 Brook Road
Rayleigh, Essex
SS6 7XJ
England
Tel: +44 (0)1268 740580
Email: info@monitoraudio.group

[monitoraudio.com](https://www.monitoraudio.com)