



INSTRUCTIONS FOR USE
E1.2

Dear Music Lover,

Thank you for choosing Pro-Ject Audio Systems record player.

Your E1.2 turntable has been handcrafted and rigorously tested by skilled technicians to give you years of enjoyable, trouble free service.

Please contact your dealer if you require additional assistance.

Important:

Your turntable was shipped partially disassembled in order to avoid damage to sensitive parts. Please check immediately to make sure that neither the packaging nor the device was damaged in transit. If you are missing parts or if the unit is damaged, please do not operate and contact your dealer.

Contents

Product illustrations	4
<u>General setup</u>	
1. Platter and drive belt installation	5
2. Connection to the amplifier	5
3. Cartridge installation, stylus exchange	5
4. Vertical Tracking Force setting (VTF)	6
5. Speed control	6
6. Maintenance and cleaning	7
Technical parameters	7
Troubleshooting, warranty, service	8
Repacking Guide	9

Please do your part to help protect the environment:

Disposal of packaging material:

Pro-Ject packaging is carefully designed to protect your component from damage in transit and you are strongly urged to keep the original packaging in order to safely ship or otherwise transport your turntable in the future.

However, the packaging materials were chosen to be environmentally friendly, so if you must discard the packaging, please recycle.

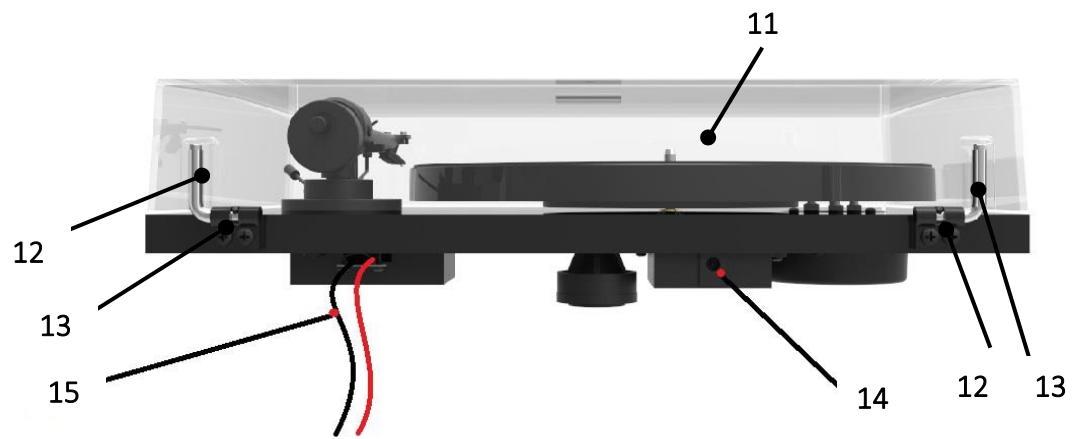
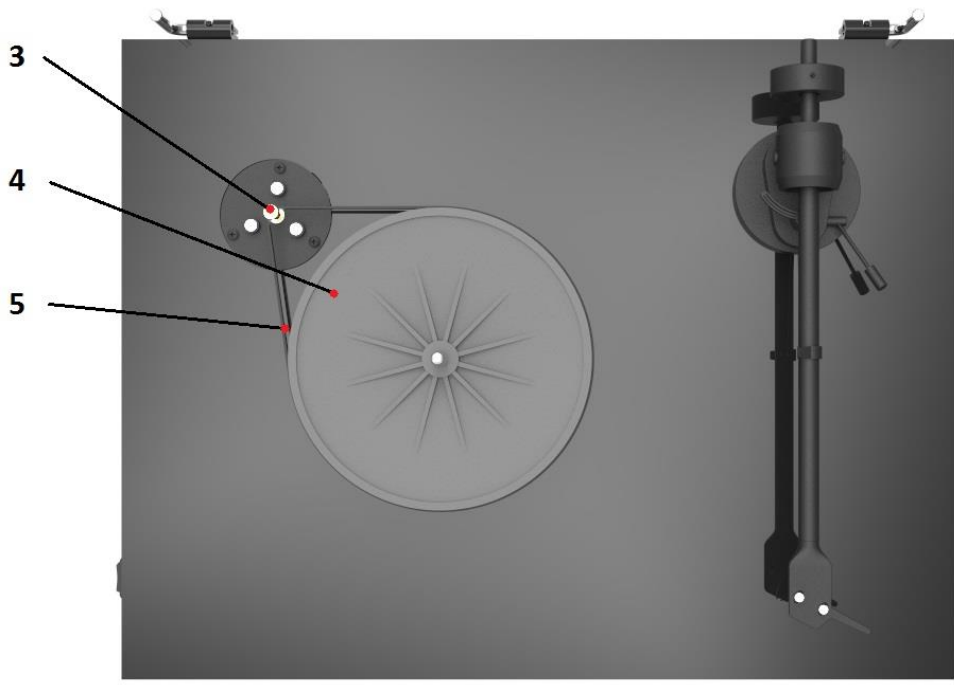
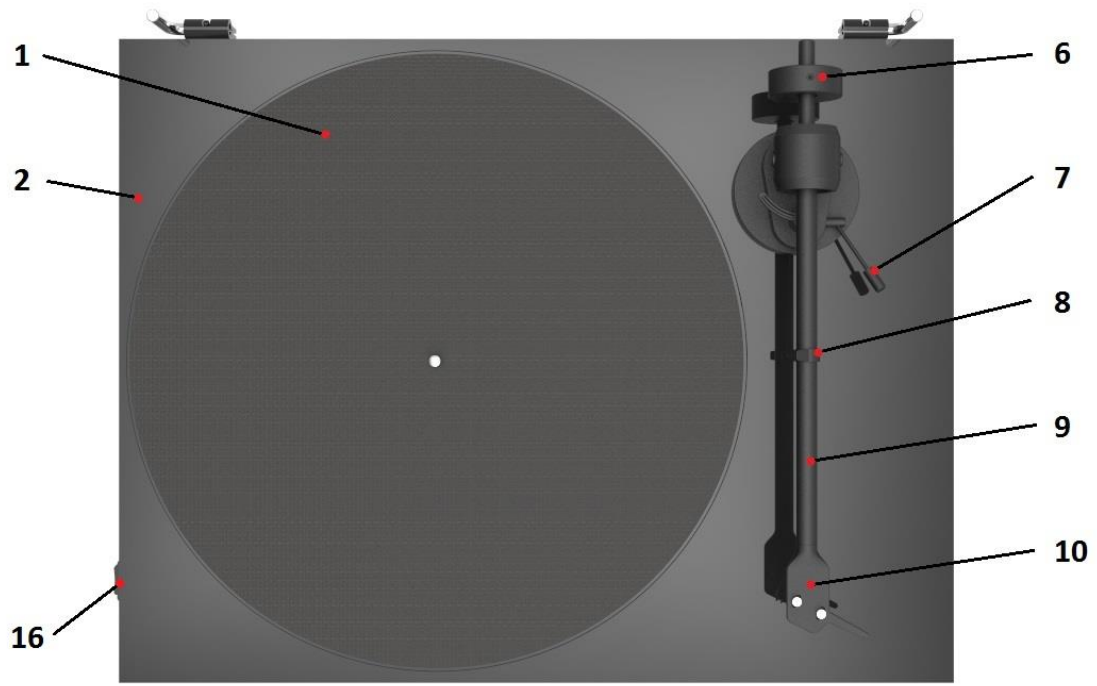
GENERAL INFORMATIONS

Controls, features and connections

- 1 PLATTER & FELT MAT
- 2 CHASSIS
- 3 MOTOR WITH PULLEY
- 4 SUB – PLATTER
- 5 DRIVE BELT
- 6 TONEARM COUNTERWEIGHT
- 7 TONEARM LIFT LEVER
- 8 TONEARM REST / REMOVABLE TRANSPORT LOCK
- 9 TONEARM TUBE
- 10 HEADSHELL WITH FINGER LIFT AND PRE-MOUNTED ORTOFON CARTRIDGE
- 11 LID
- 12 HINGE FASTENERS
- 13 LID HINGES
- 14 POWER SUPPLY SOCKET
- 15 PHONO OUTPUT CABLE
- 16 ON / OFF SWITCH, SPEED SELECTOR

Accessories

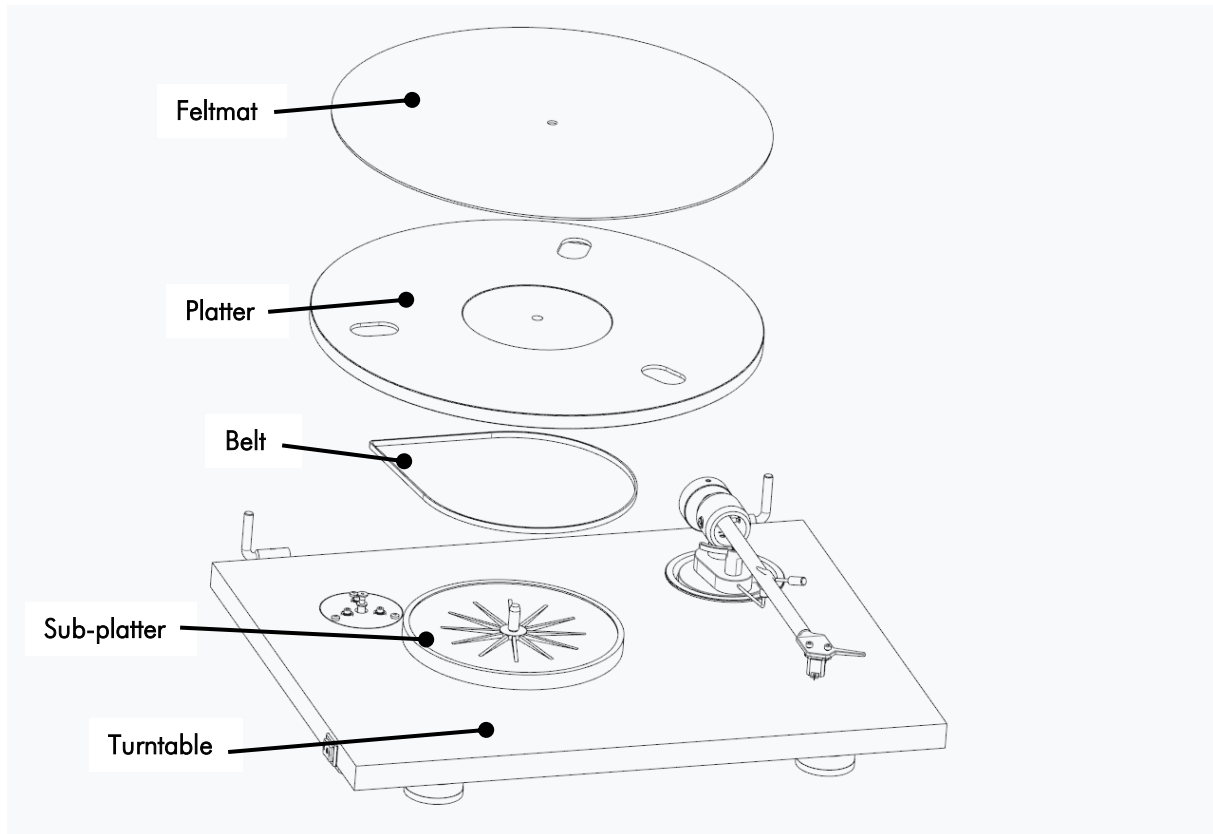
- 1 SINGLE ADAPTOR (in Accessories Box)
- 2 ALLEN KEY (in Accessories Box)
- 3 DRIVE BELT (in Accessories Box)
- 4 TWO-POINT CARTRIDGE ALIGNMENT PROTRACTOR (in Accessories Box)
- 5 STYLUS PRESSURE GAUGE (in Accessories Box)
- 6 POWER SUPPLY (in Power Supply Box)
- 7 QUICK SETUP GUIDE



SETUP

1. Platter and drive belt installation

Please remove drive belt from accessories box and install it as shown in the following illustration. Put the felt mat on the top of the platter.



2. Connection to the amplifier

The record player has a captive tonearm signal lead for connection to the amplifier. Use the Phono input on your amplifier. Make sure that the phono input offers correct matching and amplification for the type of cartridge used. Line inputs (such as CD, Tuner, Tape or Video) are not suitable.

Take care to connect the left and right channels correctly. The right channel is usually marked red, the left channel black or white. Check the manual supplied with your amplifier for relevant information. The earthing wire of the tonearm lead should be connected to the earth terminal on your amplifier (if provided).

If your amplifier does not have an input suitable for phono cartridges, you will require a separate phono amplifier stage for MM or MC cartridges which is then connected between the record player and a free line level input of the amplifier.

3. Cartridge installation, stylus exchange



Your E1.2 has been shipped with a factory aligned cartridge and we have already done these steps for you. The below information is important if you decide to change or upgrade your cartridge in the future.

Install the cartridge into the headshell, using the appropriate hardware included with your cartridge. All cartridges with half inch mounting holes can be fitted.

Connect the cartridge as indicated below:

- White left channel L+
- Red right channel R+
- Green right channel R-
- Blue left channel L-

For correct cartridge alignment, use the two-point cartridge alignment protractor provided with your Primary DC accessories. If unfamiliar with two-point setup, please refer to your dealer.

A damaged or worn stylus may harm your record collection and should be replaced.

Please remove stylus protection before pulling the stylus from the cartridge and replace for a new one.

Stylus type is exchange for pre-mounted cartridge Pro-Ject Pick it MM E: Pro-Ject Stylus MM E. If in doubt, consult your local dealer or distributor.

4. Vertical Tracking Force setting (VTF)

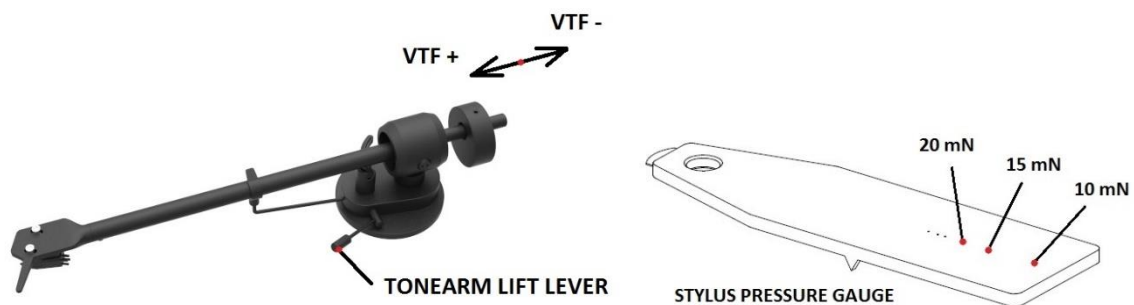


This setting is only necessary when you decided to replace your cartridge. For factory fitted cartridge, VTF was perfectly pre-set already.

Before setting the Vertical Tracking Force, confirm the exact weight of your cartridge.

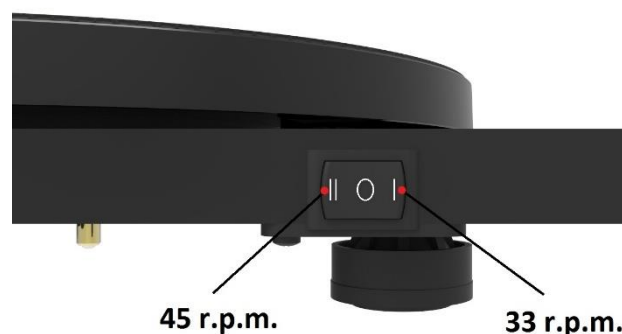
Pushing carefully, move the counterweight onto the rear end of the counterweight support rod. Place the stylus pressure gauge onto the platter. To set the required VTF, lower the tonearm lift lever as indicated in the illustration and place the tip of the stylus exactly in between the two points marked 15mN and 20mN.

If the stylus gauge becomes level, then the correct pressure has been achieved. However, if there is insufficient or excessive pressure the gauge will either not move or tilt down. Moving the counterweight (6) away from the cartridge will reduce pressure and towards will increase pressure. Finally secure the counterweight (6) using hexagonal key provided.



5. Speed control

The turntable is equipped with a three-position switch for ON/OFF and electronic speed change. To play records at 33 r.p.m. press the switch (16) to the front side to position no. 1. To play records at 45 r.p.m. press the switch (16) to the rear side to position no. 2



6. Maintenance and cleaning

Your record player requires little or no regular maintenance. Remove dust with a slightly moistened antistatic cloth. Never use a dry cloth because this will create static electricity which attract more dust! Antistatic cleaning fluids are available at specialist stores but must be applied sparingly to avoid damage to rubber parts. It is recommended to fit the needle cover before cleaning or maintenance is carried out to avoid damage.

If the player is not used over a long period of time the drive belt can be removed to prevent unequal stretching.

Technical specifications Pro-Ject E1.2 / Pro-Ject 8.6

Nominal speeds	33/45 r.p.m.
Speed variance	33: $\pm 0.70\%$ 45: $\pm 0.60\%$
Wow and flutter	33: $\pm 0.23\%$ 45: $\pm 0.21\%$
Signal to noise	-65dB
Effective tonearm mass	7.0g
Effective tonearm length	8.6" (218.5mm)
Overhang	22,0mm
Power consumption	4.5W
Outboard power supply	15V / 0 – 0.8A DC (set at 0.5A), universal power supply
Dimensions (W x H x D)	420 x 112 x 330mm, with open dustcover 420 x 370 x 393mm
Weight	3.6 kg
Dimensions packaging (W x H x D)	488 x 235 x 393mm
Weight incl. packaging	5.6kg

Technical specifications MM-Cartridge Pro-Ject Pick it MM E

Frequency range	10 - 20 000 Hz +/- 2dB
Channel separation	22dB/1kHz
Output voltage	3.8mV
Recommended load impedance	47kohms/amplifier connection – MM-input
Compliance/stylus type	14 μ m/mN – Conical
Recommended tracking force	20mN (2.0g)
Weight	5.5g

Potential incorrect use and fault conditions

Pro-Ject turntables are manufactured to the highest standards and undergo strict quality controls before leaving the factory. Faults that may possibly occur are not necessarily due to material or production faults but can sometimes be caused by incorrect use or unfortunate circumstances. Therefore the following list of common fault symptoms is included.

The platter doesn't turn although the unit is switched on:

- The unit is not connected to the mains power supply.
- No mains at the socket.
- Drive belt is not fitted or has slipped off.

No signal through one or other channel or both channels:

- No signal contact from the cartridge to the internal tonearm wiring or from that to the arm lead or from that to the phono box or between that and the amplifier. This could be due to a faulty plug, broken wire or solder joint or simply loose plug/socket connection.
- Phono input not selected at amplifier.
- Amplifier is not switched on.
- Amplifier or speakers are defective or muted.
- No connection to the loudspeakers.

Strong hum on phono input:

- No earth connection from cartridge or arm or arm cable to amplifier, or earth loop.

Distorted or inconsistent sound from one or both channels:

- Record player is connected to wrong input of amplifier, or MM/MC switch incorrectly set.
- Needle or cantilever damaged.
- Wrong r.p.m., drive belt overstretched or dirty, platter bearing without oil, dirty or damaged

Service

Should you encounter a problem which you are not able to alleviate or identify despite the above information, please contact your dealer for further advice. Only when the problem cannot be resolved there should the unit be sent to the responsible distributor in your country.

Guarantee repairs will only be affected if the unit is returned correctly packaged. For this reason we recommend keeping the original packaging.

Never return a record player without making sure that it is safely disassembled and correctly packaged in the original packaging according to the diagrams on the last page of this user guide. Please remove these parts and pack them separately: lid, counterweight, anti-skating weight and belt.

Fit the cartridge protection cap and the transport lock for the tonearm tube, prior to carefully packaging the record player.

Warranty



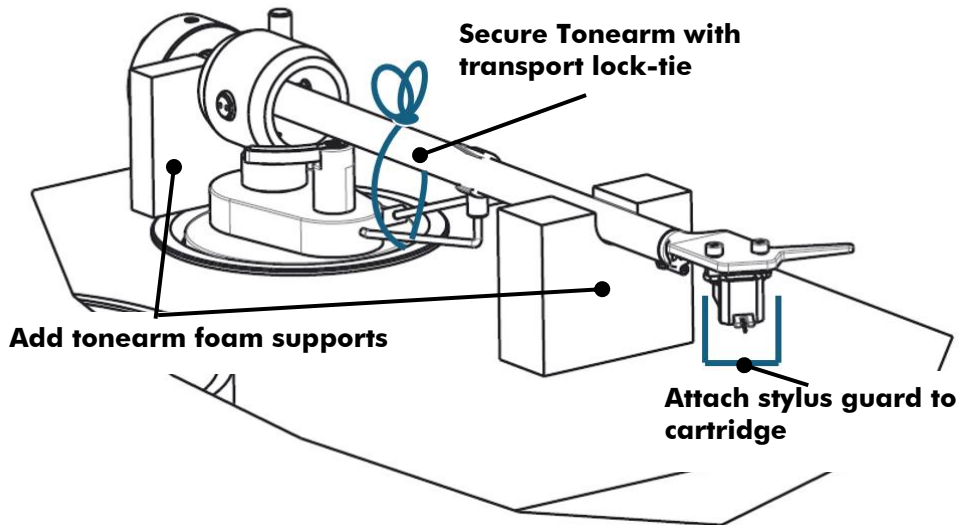
The manufacturer accepts no responsibility for damage caused by not adhering to these instructions for use and/or by transportation without the original packaging. Modification or change to any part of the product by unauthorized persons, release the manufacturer from any liability over and above the lawful rights of the customer.

Pro-Ject Audio Systems is a Registered Trademark of H. Lichtenegger.

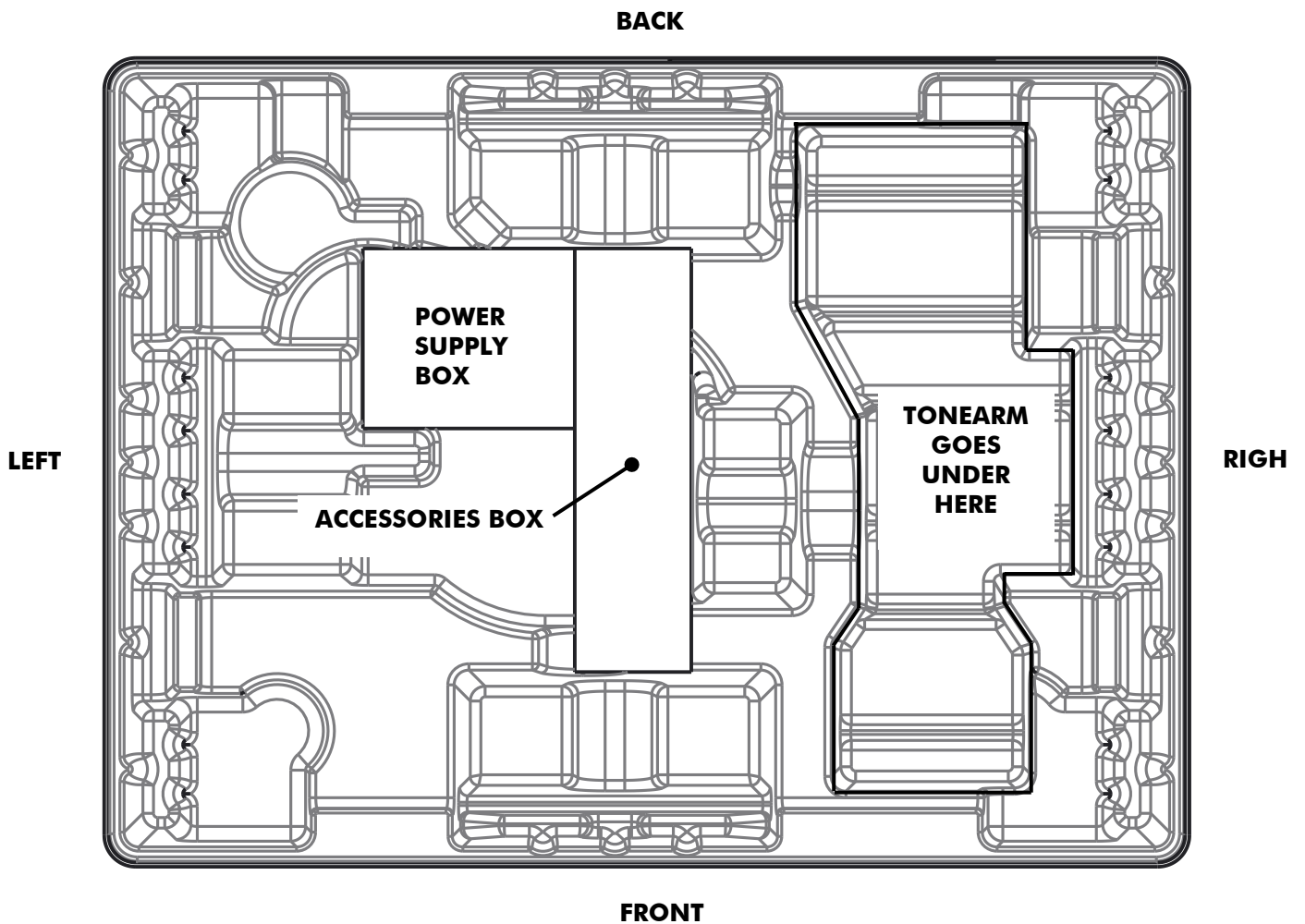
This guide was produced by: Pro-Ject Audio Systems
Copyright © 2025. All rights reserved.

The information was correct at the time of going to press. The manufacturer reserves the right to make changes to the technical specification without prior notice as deemed necessary to uphold the ongoing process of technical development.

REPACKING GUIDE



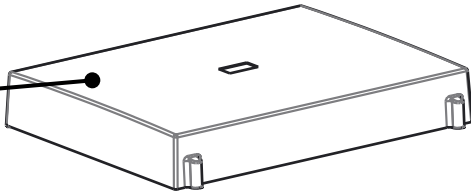
Correct Orientation of PULP FIBER TOP INLAY



SETUP GUIDE

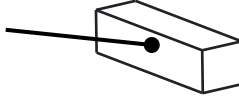


DUSTCOVER*



**DUSTCOVER and TURNTABLE are packed in white felt bags*

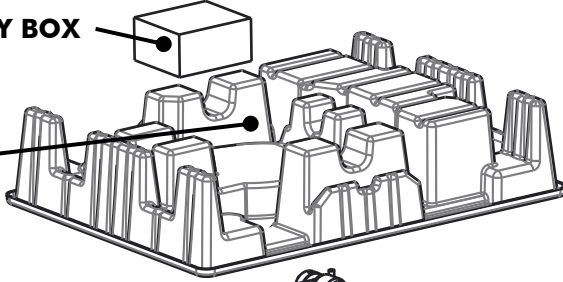
ACCESSORIES BOX



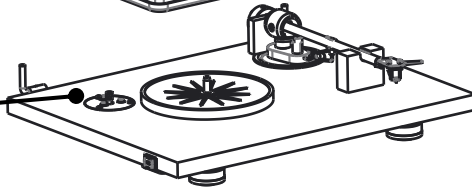
POWER SUPPLY BOX



PULP FIBER TOP INLAY

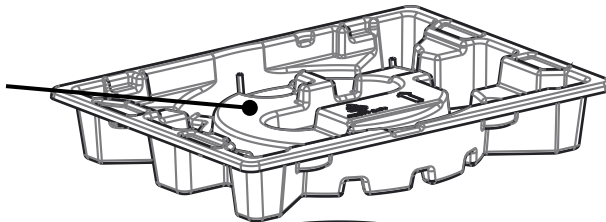


TURNTABLE*

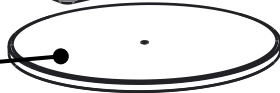


**DUSTCOVER and TURNTABLE are packed in white felt bags*

PULP FIBER BOTTOM INLAY

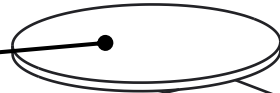


PLATTER & FELTMAT*



**PLATTER and FELTMAT are packed in plastic bag*

CARDBOARD INLAY UNDER PLATTER



CARDBOARD BOTTOM INLAY

