

Safety Instructions

1. Read Instructions - All the safety and operating instructions should be read before the equipment is operated.
2. Retain Instructions - The safety and operating instructions should be retained for future reference.
3. Heed Warnings - All warnings on the equipment in the operating instructions should be adhered to.
4. Follow Instructions - Follow all operating and user instructions.
5. Water and Moisture - The equipment should not be used near water; for example, near a bathtub, washbowl, kitchen sink, laundry tub, in a wet basement, or near a swimming pool.
6. Mounting - The equipment should be mounted or secured as recommended by the manufacturer.
7. Heat - The equipment should be situated away from heat sources such as radiators, heat registers, stoves, or other equipment (including amplifiers) that produce heat.
8. Power Sources - The product should be connected to a power supply only of the type described in the operating instructions or as marked on the equipment.
9. Grounding or Polarization - Precaution should be taken so that the grounding or polarization means of the product is not defeated.
10. Avoid spills and foreign objects. Ensure liquids and objects don't get into the product enclosure through any openings.
11. Damage Requiring Service - The equipment should be serviced by qualified service personnel when: the power supply cord or the plug has been damaged; objects have fallen, liquid has been spilled into the equipment; the equipment has been exposed to rain; the equipment does not appear to operate normally; or the equipment has been dropped or the enclosure is damaged.
12. Servicing - The user should not attempt to service the equipment beyond that described in the operating instructions. All other servicing should be referred to qualified service personnel.
13. Care - From time to time you should wipe any dust accumulation from the equipment with a soft dry cloth.

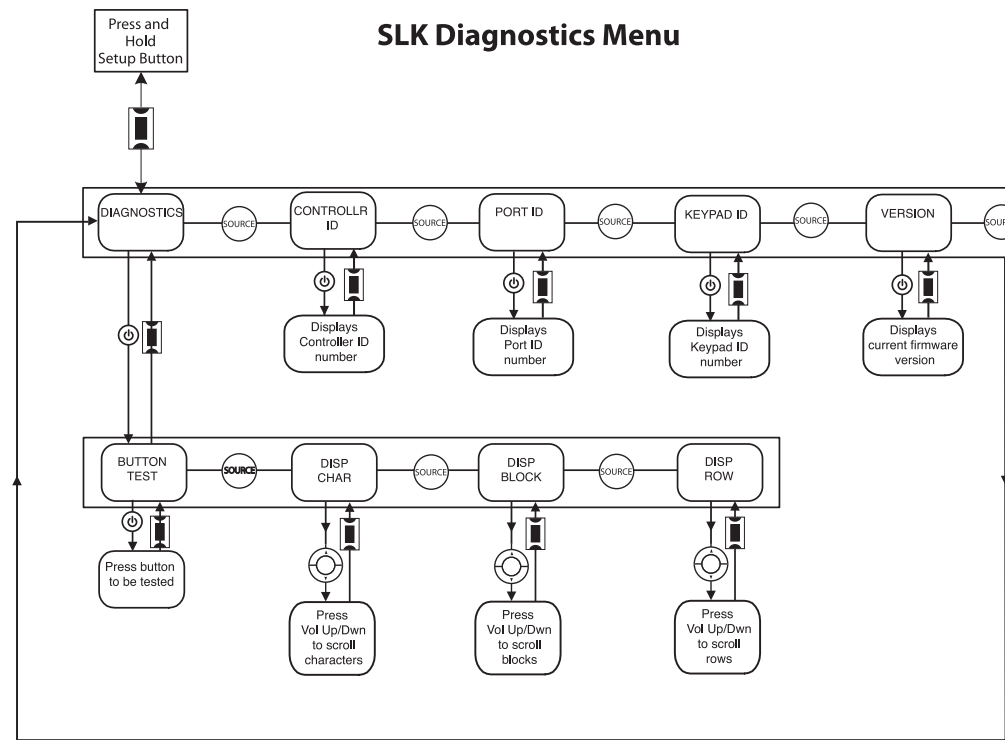
Note: This equipment has been tested and found to comply with the limits for a Class B digital device, pursuant to part 15 of the FCC rules. These limits are designed to provide reasonable protection against harmful interference in a residential installation. This equipment generates, uses and can radiate radio frequency energy and, if not installed and used in accordance with the instructions, may cause harmful interference to radio communications. However, there is no guarantee that interference will not occur in a particular installation. If this equipment does cause harmful interference to radio or television reception, which can be determined by turning the equipment off and on, the user is encouraged to try to correct the interference by one of or more of the following measures: reorient or relocate the receiving antenna; increase the separation between the equipment and receiver; connect the equipment into an outlet on a circuit different from that to which the receiver is connected, or consult the dealer or an experienced radio/TV technician for help.

This Class B digital apparatus complies with Canadian ICES-003. Cet appareil numérique de la classe B est conforme à la norme NMB-003 du Canada.

SLK-1 Diagnostics Menu

The Diagnostics Menu allows the installer to run a diagnostic check on the SLK-1 and to verify the firmware version. To access the Diagnostics Menu, press and hold the Setup button on the

right side of the keypad until "Diags" appears on the display. The menus are outlined in the diagram below. When finished, press and release the Setup button again.



Warranty and Repair

The Russound SLK-1 is fully guaranteed against all defects in materials and workmanship for two (2) years from the date of purchase. During this period, Russound will replace any defective parts and correct any defect in workmanship without charge for either parts or labor. For this warranty to apply, the unit must be installed and used according to its written instructions. If service is necessary, it must be performed by Russound. The unit must be returned to Russound at the owner's expense and with prior written permission. Accidental damage and shipping damage are not considered defects, nor is damage resulting from abuse or from servicing by an agency or person not specifically authorized in writing by Russound. This Warranty does not cover: Damage caused by abuse, accident, mis-use, negligence, or improper installation or operation; Power surges and lightning strikes; Normal wear and maintenance; Products that have been altered or modified; Any product whose identifying number, decal, serial number, etc. has been altered, defaced or removed. Russound sells products only through authorized Dealers and Distributors to ensure that customers obtain proper support and service. Any Russound product purchased from an unauthorized dealer or other source, including retailers, mail order sellers and online sellers will not be honored or serviced under existing Russound warranty policy. Any sale of products by an unauthorized source

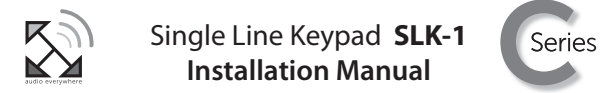
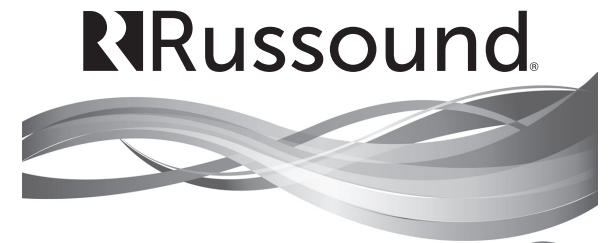
or other manner not authorized by Russound shall void the warranty on the applicable product.

Damage to or destruction of components due to application of excessive power voids the warranty on those parts. In these cases, repairs will be made on the basis of the retail value of the parts and labor. To return for repairs, the unit must be shipped to Russound at the owner's expense, along with a note explaining the nature of service required. Be sure to pack the unit in a corrugated container with at least three (3) inches of resilient material to protect the unit from damage in transit. Before returning a unit for repair, call Russound at 866.888.7466 for a Return Authorization number. Write this number on the shipping label and ship to: Russound, ATTN: Service, 5 Forbes Road, Newmarket, NH03857.

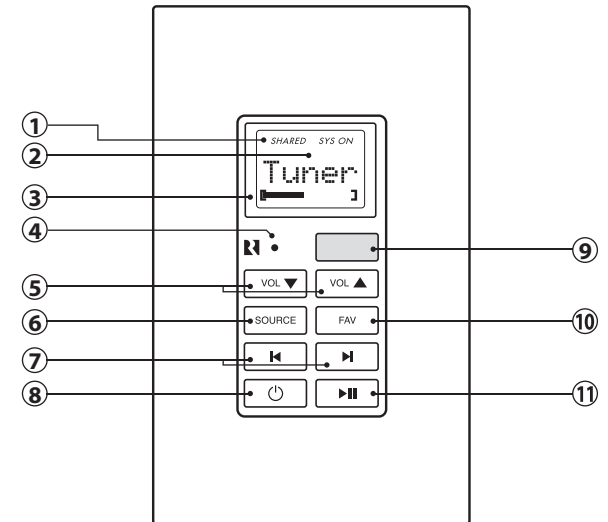
Copyright ©2012 Russound® All rights reserved. All trademarks are the property of their respective owners. Russound is not responsible for typographical errors or omissions. Specifications are subject to change without notice.

Russound, Inc. 5 Forbes Rd., Newmarket, NH 03857, USA
tel 603.659.5170 • fax 603.659.5388 www.russound.com
technical support: 866.888.7466 e-mail: tech@russound.com

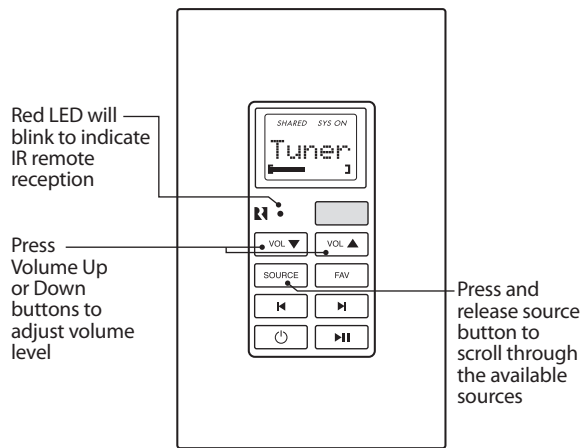
28-1375 08/28/12



The SLK-1 keypad is an in-wall, Decora® style single-gang keypad designed for individual zone control of MCA-C3/MCA-C5 Multiroom Controller Amplifier (wall plate not included).



- 1 **System Info** - SYS ON indicates other active zones and SHARED indicates the selected source is in use in another zone.
- 2 **LCD Panel** - 5-character white backlit display shows source name, volume and room status.
- 3 **Volume Level** - 21-segment volume level bars increase from left to right to indicate volume level.
- 4 **IR Confirmation/Loudness LED** - Red LED blinks to confirm IR signal reception.
- 5 **Volume UP/Down** - Raises/lowers the volume for the room.
- 6 **Source Select** - Press and release scrolls through the available sources.
- 7 **Previous** - Navigates backwards through menus or play previous selection. **Forward** - Press to forward through menu or play next selection.
- 8 **Power** - Turns room ON or OFF when pressed once, button remains lit when OFF if any other zone in the system is ON.
- 9 **IR RECEIVER** - Receives IR signals and passes them to the controller and source equipment. Also used when the keypad is operated using the SRC-C5 C-Series System remote controls.
- 10 **Favorites** - Selects preset user selected favorite settings per room.
- 11 **Play/Pause** - Toggle between play and pause.



SLK-1-1 User Mode

The User Mode allows the user to select an audio source, adjust the volume level in the zone, turn the zone on / off, and issue system-wide All On / All Off commands.

To turn the zone on or off, press and release the power button. A press and hold while in the On state will issue an All On command and a press and hold in the Off state will issue an All Off command.

To select a source, press and release the source button to increment to the next available source. The configured source name will be displayed on the keypad's LCD panel.

Incremental volume adjustments can be made by either pressing and releasing the volume up or down button, while pressing and holding will ramp the level until released or the maximum / minimum level is reached. The volume level is displayed by a bar graph at the bottom of the LCD panel and a numeric value is displayed during adjustment.

The SLK-1 is designed for basic zone control. As such, it does not provide control of connected sources or adjustment of zone audio properties such as Bass, Treble, Loudness or Balance. These can be configured through SCS-C5 Configuration Software. The SLK-1 is an ideal companion for systems using the My Russound application on supported hand-held devices.

The FAV button is a user favorite preset. The preset can be selected at any time to recall source selection and volume.

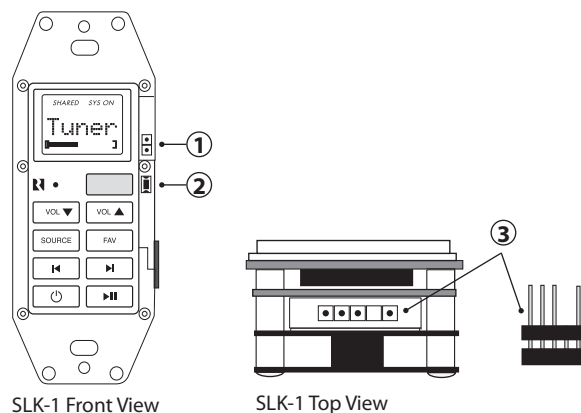
To store a preset, adjust the room setting and select a source to be stored. Press and hold the Fav button until "F1 SAVED" is displayed on the LCD panel. Now a press and release will recall the favorite preset. When used with the DMS-3.1, the current medial will always be saved (e.g. SiriusXM station or internet radio station)

The FAV button corresponds to the F1 button on SRC-C5 remote.

SLK-1 Side Panel

The SLK-1 setup button is located on the right side of the keypad (when facing front). This is covered when a trim plate is installed.

- OS UPDATE/RUN JUMPER**-The pins are jumpered only when performing an OS update on the keypad, and removed during normal operation.
- SETUP BUTTON**- Activates information and update menus for the keypad.
- OS UPDATE PORT**- Used to directly update the SLK-1 keypad operating system firmware. If an update is released, it will be available online through the Support Center on www.russound.com. Look in the "C-Series System - Firmware & Software Updates" section under C-Series System. The Advanced Programming Cable is available from Russound, Part #2500-521065.



SLK-1 Color Conversion

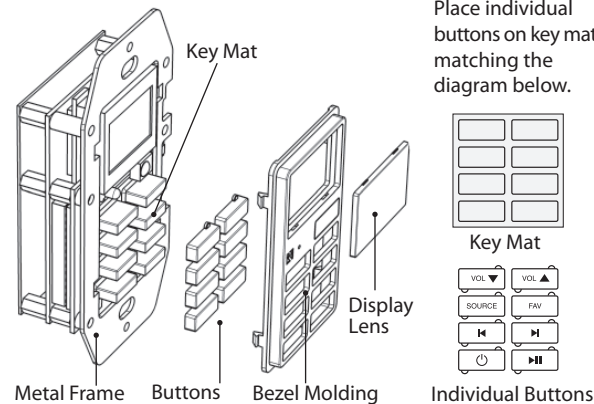
You will need both small straight and Phillips head screwdrivers to change the color plates on the keypad. The Bezel Molding and Buttons will be switched for the new color plates.

- If installed, remove the SLK-1 keypad from the wall. Gently pull the Trim Plate off the mounting plate. Unscrew the unit from the electrical box, and disconnect the cable.
- Unscrew the plastic Frame Plate. Keep the Frame Plate and screws for reattachment later.
- Remove the Bezel Molding by gently pressing in each of the 4 locking tabs (2 per side) while pushing it away from the metal frame. CAUTION: To avoid damage to the LCD panel, do not use hard edged tools.
- Remove the Display Lens from the Bezel Molding by gently pushing from the rear to overcome the clips.
- Once the Display Lens is removed, put aside for reattachment later. Be careful to not damage the display.
- Remove individual button caps by pulling them off the key mat.

7. Reverse the order for installation, taking the following precautions:

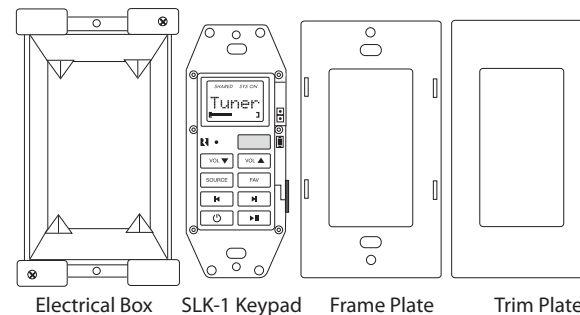
- Place button caps correctly on the key mat. Make sure the key mat is positioned properly on the circuit board and without dust or debris on the button contact points prior to attaching the Bezel Molding.
- Make sure that there isn't any debris or fingerprints on either the display or back of the Display Lens prior to reattachment.
- Use a clean, dry, lint-free soft cloth to gently wipe the display or back of the Display Lens to clean if necessary. Never use cleaning agents as this can cause streaking or permanent damage to either part.

Note: Place individual buttons on key mat matching the diagram below.



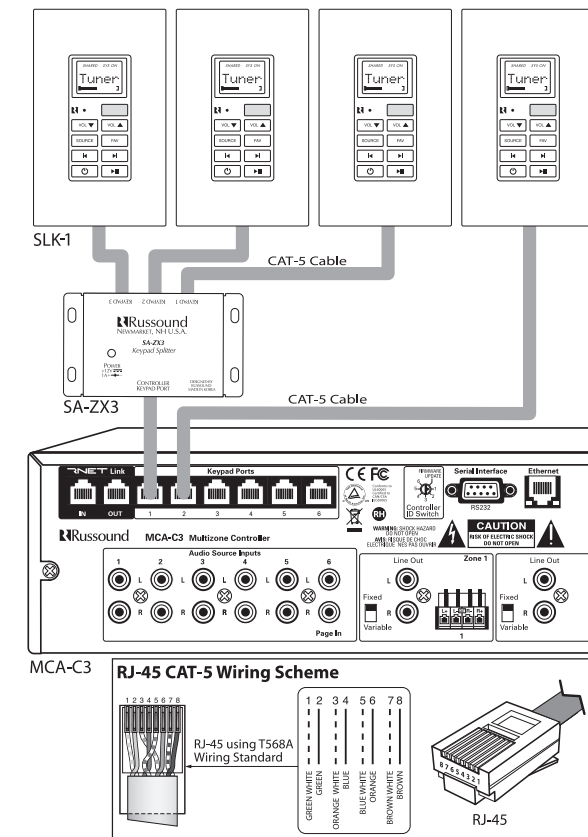
Keypad Installation

- Check whether or not you can route the wire to the location you have chosen.
- To install a single-gang keypad, you will need to use an UL/CSA approved plastic single-gang (18 ci) electrical box.
- Route CAT-5 cable to the junction box from the MCA-C3/C5 system controller.
- Terminate the CAT-5 cable with an RJ-45 connector, using the T568A wiring standard.
- Mount the keypad in the electrical box and attach the trim plate.



SLK-1 Keypad to MCA Controller RJ-45 Connection

Each keypad connects to a Keypad Port on the back of the controller (MCA-C3 controller shown below). Connections are made using CAT-5 cable with an RJ45 connector (wiring scheme shown below). An SA-ZX3 Keypad Splitter can be used to add additional keypads to each zone.



Specifications

- Power requirements: 12 VDC 180mA CAT-5
- CAT-5e connection: RJ-45 (T568A standard)
- Dimensions: 1.875"W x 2.7"D x 1.47"H (4.7 x 6.9 x 3.7 cm)
- Weight: 4.5 oz. (127.6 g)
- Max cable length: 300' (CAT-5)

Fits 1 Gang UL/CSA Approved 18 ci Junction Box

