



# Ceiling Mount Bracket

## Installation Manual

Thanks for choosing the Valerion Ceiling Mount Bracket CMB-01.  
Please read this manual carefully before installation and keep it safe.





# CONTENTS

Caution .....	1
Package Contents .....	2
Application Scope of the Bracket .....	3
Adjusting angle .....	4
Installation Guide .....	5
Specification .....	9



# Caution

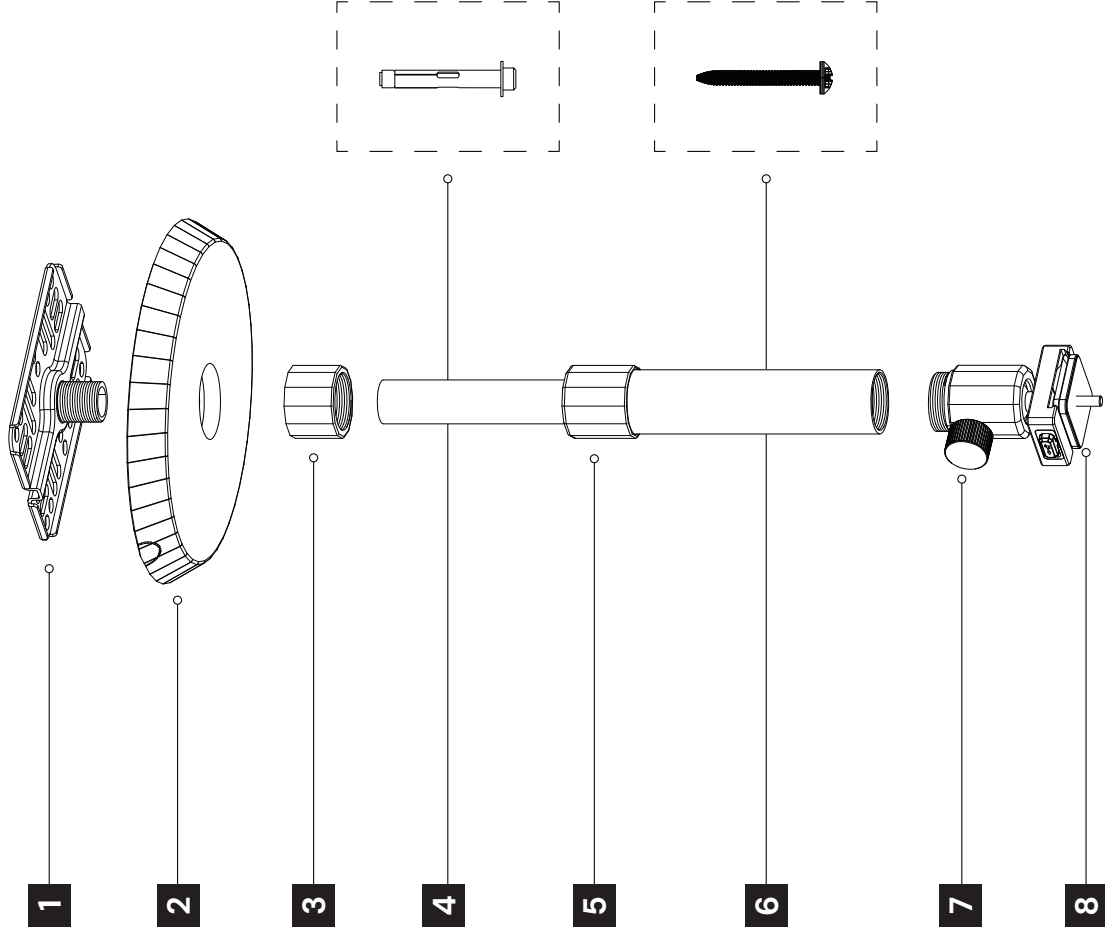
---

1. To ensure safety, please read this manual carefully before installation and follow the instructions herein. Store this manual in a secure place for future reference.
2. The manufacturer shall not be responsible legally for any equipment damage or personal injury caused by incorrect installation or operation not covered in this manual.
3. The ceiling mount bracket is designed for installing and removing easily. The manufacturer shall not be liable to the damage of equipment and personnel injuries arising out of human factors, acts of gods, such as earthquake.
4. The ceiling mount bracket must be installed by professional personnel.
5. At least two persons are needed to install or remove the product to avoid any hazard caused by falling objects.
6. Please check carefully the areas around where the bracket is to be installed.
  - ① Avoid any places with high temperature or humidity or subject to contact with water.
  - ② Do not install the product near the vents of air conditioners and avoid places where it is dusty and fume.
  - ③ Only install on a horizontal ceiling and avoid slanted surfaces.
  - ④ Do not install in places subject to vibrations and shocks.
  - ⑤ Do not install in places subject to direct bright light, which may cause fatigue in the eyes of users when viewing the display.
7. Remember to maintain ample space around the projector to ensure good ventilation.
8. To ensure safety and avoid any accident, it is necessary to investigate the structure of the ceiling and select an appropriate and durable location before installation.
9. The ceiling should have load-carrying capability to sustain more than four times the total weight of the projector and the hanger. Also make sure it has enough strength to withstand earthquakes and other shocks.
10. Do not modify any accessory or use broken parts. Contact the local distributors with any questions.
11. Tighten all screws (do not exert force on any screw with excess torque to avoid breaking the screw or damaging its thread).
12. The maximum weight of the ceiling projector that the hanger can support is below 10Kg.
13. Drill holes and screws will be left on the ceiling once the projector and hanger are removed. Stains may occur after extended use.
14. Please consult the English language manual for any dispute on the terms.

# Package Contents

---

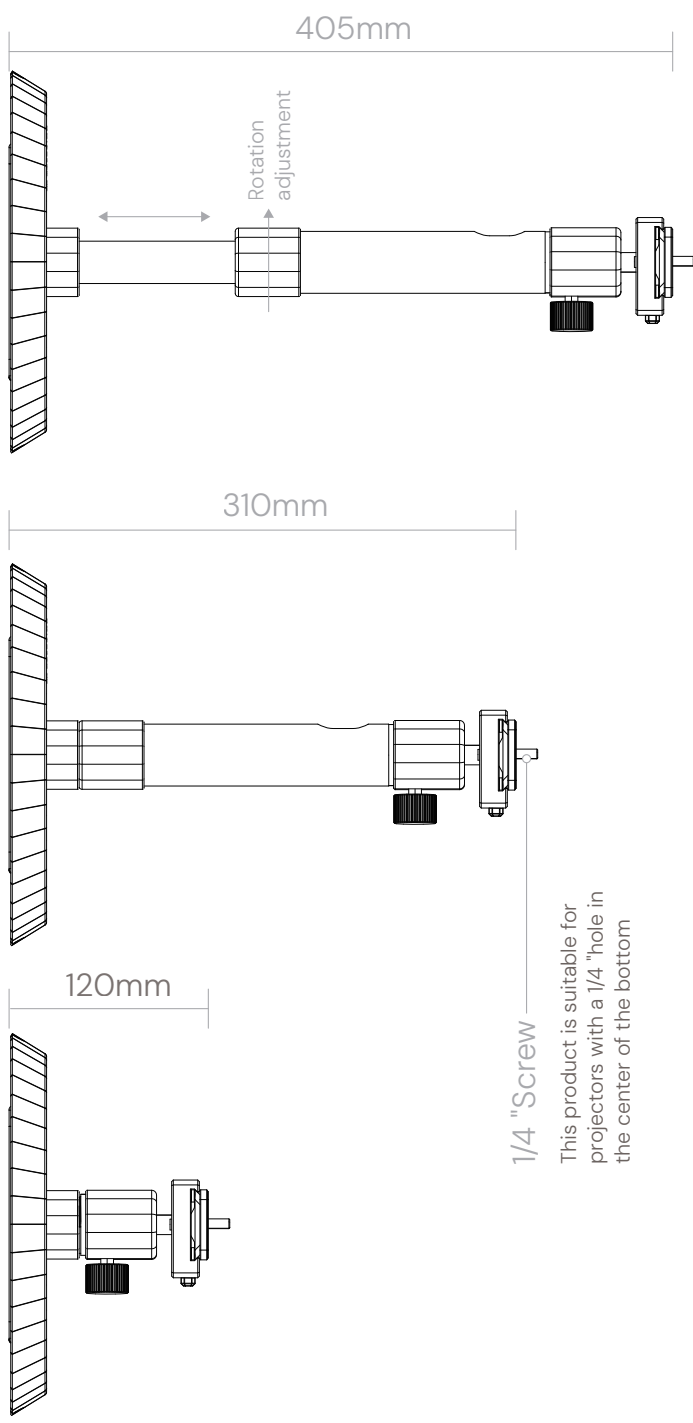
- 1** Ceiling mount base
- 2** Decoration cover
- 3** Decoration cover screw
- 4** Expansion screw bolts for concrete wall \* 4  
M8\* 50mm
- 5** Height adjustable rod
- 6** Self-tapping screw for wooden ceiling \* 5  
M6\*50mm
- 7** Quick release base
- 8** Quick release plate
- 9** User manual



# Application Scope of the Bracket

1. The minimum length is 120mm(Height adjustable rod not included).

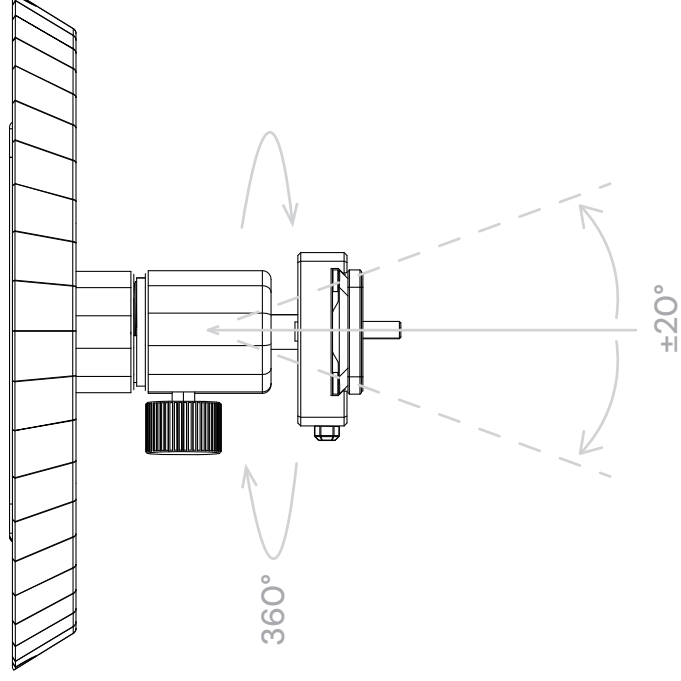
2. Height adjustable rod installed : adjustable length from 310-405mm.



# Adjusting angle

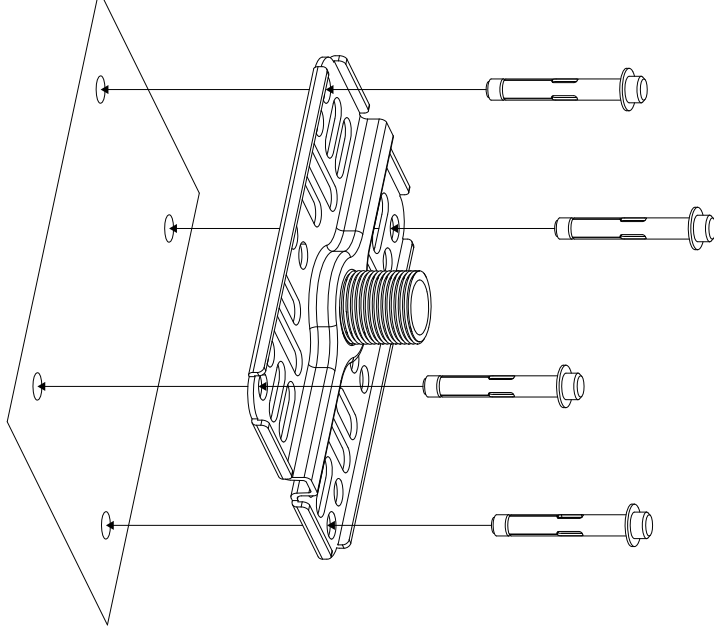
---

1. Horizontal rotation angle:  $360^{\circ}$ .
2. Vertical tilt angle :  $\pm 20^{\circ}$ .



# Installation Guide

1. Mark the punching points.
2. Drill holes at least 4 punching points with a drill bit diameter of 8 mm and a drilling depth of not less than 60 mm.
3. Nail Expansion screw bolt into the holes , tighten the screws , fix **Ceiling mount base** to the wall.



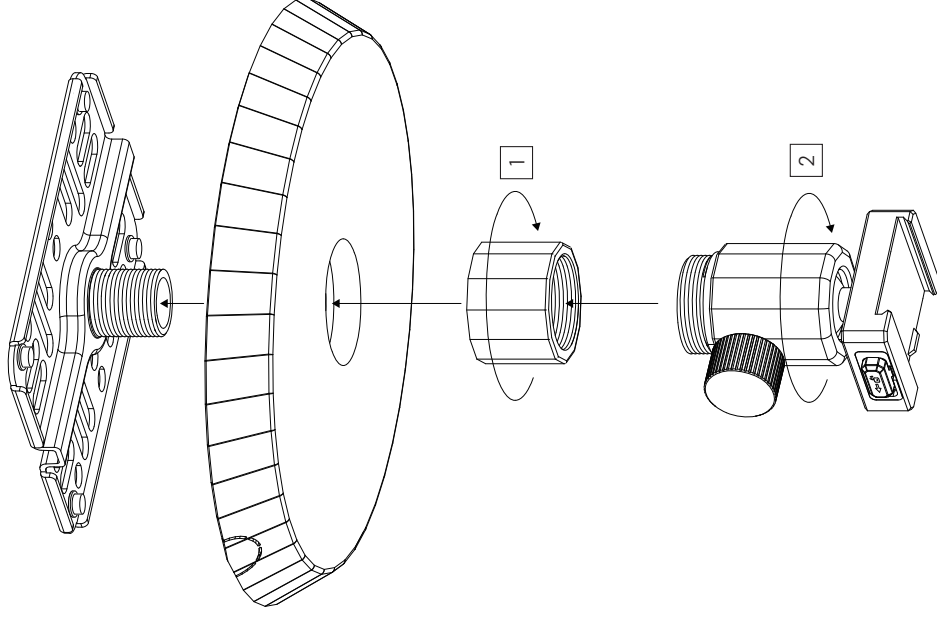
## Caution :

1. Select screws that are suitable for each type of ceiling.
2. The enclosed **Expansion Screw Bolts** are for installation on concrete walls only.
3. In the case of installation on a wooden ceiling, make sure it is strong enough.
4. Do not install on decorated posts or plaster boards.
5. Consult professional personnel to select appropriate screws.

## Without Height adjustable rod

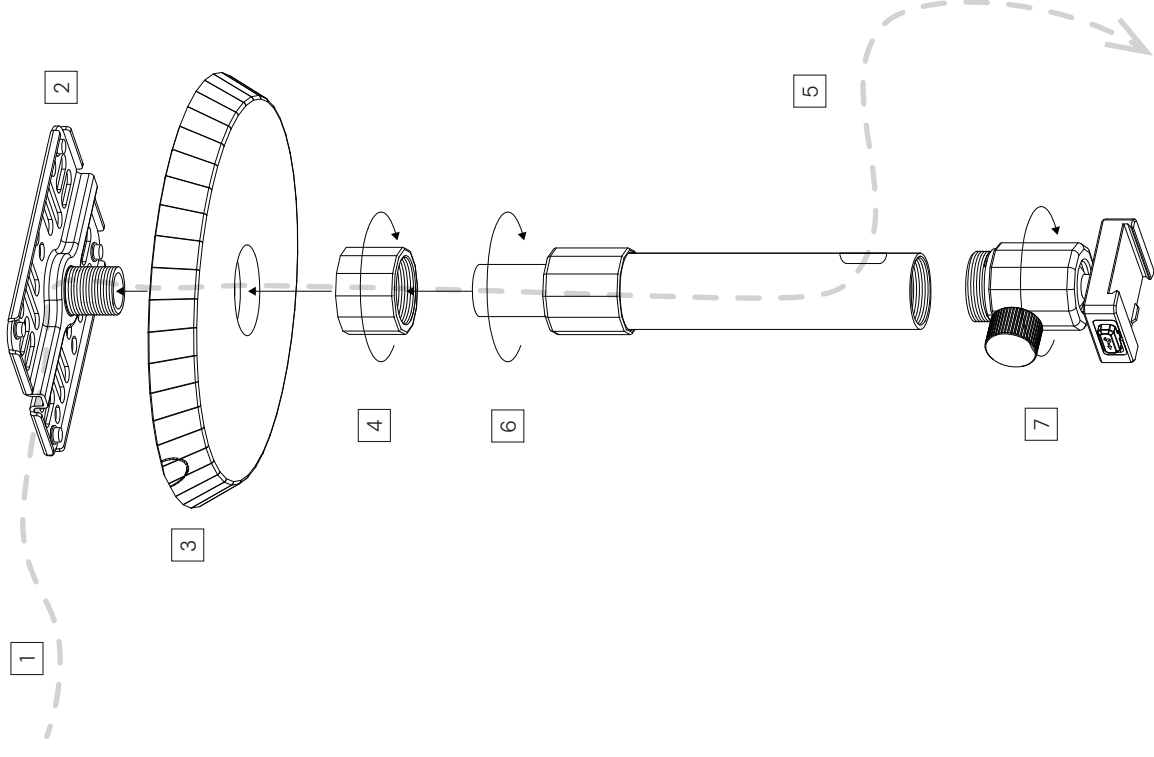
---

1. Tighten Decoration cover screw to secure Decoration cover and Ceiling mount base.
2. Connect and tighten Height adjustment rod with Quick release base.



## With Height adjustable rod

1. Pass the power cord through the hole in the center of **Ceiling mount base**.
2. Fix **Ceiling mount base** to the wall.
3. Break off the notch on the edge of the **Decorative cover**.
4. Tighten **Decoration cover screw** to secure **Decoration cover** and **Ceiling mount base**.
5. Pass the power cord through **Height adjustable rod**.
6. Connect and tighten **Height adjustable rod** with **Ceiling mount base**.
7. Connect and tighten **Height adjustable rod** with **Quick release base**.

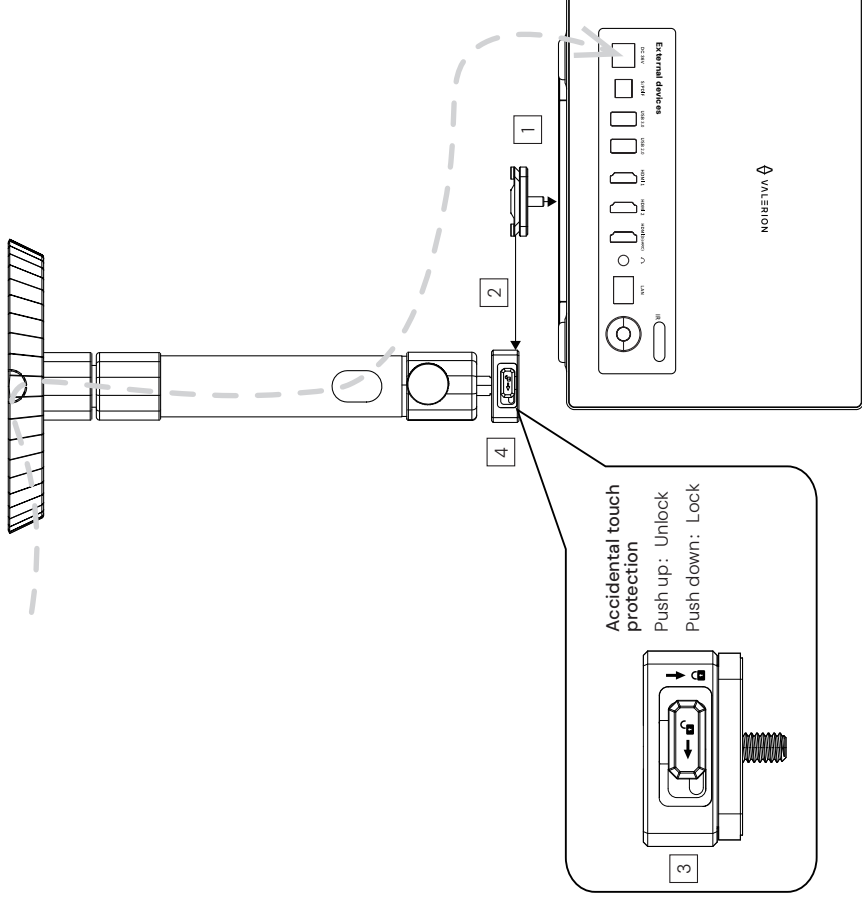


**Note:**

With Height adjustable rod installed, the bracket supports internal wiring.  
If internal wiring is not required, ignore steps 1, 3, and 5.

# Mounting projector

1. Use 1/4-inch screw to secure the projector with Quick release plate.
2. Push **Quick release plate** into **Quick release base** and the position will be automatically locked when you hear a click sound.
3. Accidental touch protection :  
After the projector is mounted, push the lock button down so that it cannot move horizontally to prevent accidental touch. Push the lock button up to release the protection.
4. If you need to take down the projector, push the lock button to the left side and take out **Quick release plate** at the same time.



## Caution:

The maximum supported weight of the bracket is 10KG.  
Do not mount projector that exceeds the weight limit, it may cause damage to equipment and personal safety.

# Specification

---

Brand	Valerion
Product Name	Ceiling Mount Bracket
Product Model	CMB-01
Maximum Supported Weight	10 KG
Metal parts material	Aluminum alloy
Decorative cover material	PC+ABS
Product Dimensions	235*183*405 mm
Product Net Weight	1.0 Kg
Color	Space Gray

## Contact Information:



Email: [support@valerion.com](mailto:support@valerion.com)



Official Website:  
<https://www.valerion.com/>



Facebook Group:  
Valerion VisionMaster Official Launch Group



Facebook Group



Installation Video





**VALERION**

Manufacturer: VALERION TECHNOLOGY USA CO.,LTD  
Address: 1312 17th Street, Unit Num 2955, Denver,CO 80202, United States.  
Contact us: <https://www.valerion.com>  
Email: [support@valerion.com](mailto:support@valerion.com)