

## BCS250 CEILING PASSIVE SPEAKER



The BCS250 is a premium passive commercial-grade in-ceiling speaker, specifically designed for both low impedance and constant voltage applications in new build or retrofit scenarios. Its discreet design seamlessly blends with any interior design or décor, making it an ideal choice. With a high-performance build, including a UL 2043 plenum rating, the BCS250 is fully certified for commercial installation. Additionally, the optional pendant kit offers the flexibility to suspend the BCS250 from the ceiling at a lower height if there are no suitable mounting options available at the typical height.

The BCS250 are passive in-ceiling speakers that make for a great complement to the B170S Networked Streaming Stereo Amplifier, offering both low impedance and constant voltage options (70/100V).

Low impedance option delivers better audio quality overall, while the constant voltage option allows for daisy chained speaker configurations.

The BCS250 speakers are ideal for a wide range of applications, whether you're retrofitting an existing system or building a new one. Moreover, their user-friendly design makes it effortless to replace or update an existing system, for the ultimate installation flexibility. The BCS250 in-ceiling speakers are incredibly discreet, making them ideal for environments where wall space is limited, such as small cafes and shops.

With a slim profile requiring just 5 inches of depth, these speakers can be seamlessly installed, especially in areas where walls are already adorned with various objects.

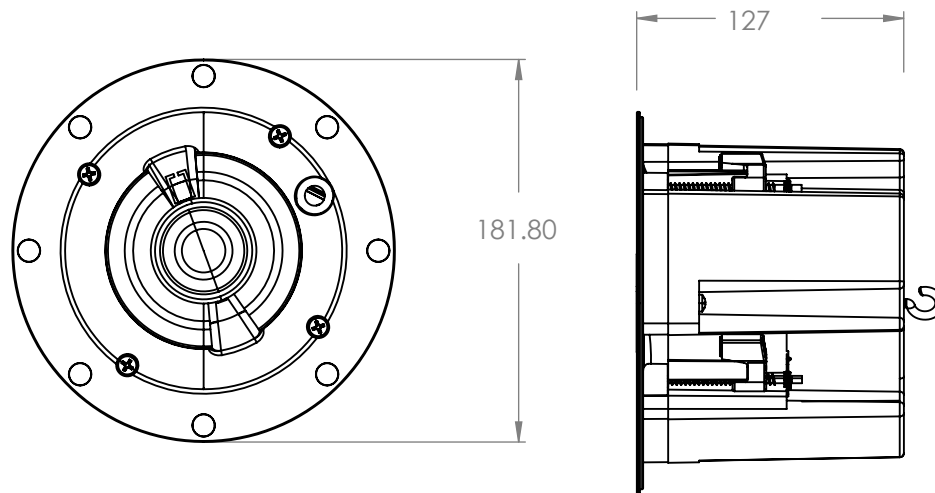
## FEATURES

- Tuned Crossover for uniform frequency response over the coverage area
- High Dispersion Coverage
- Snap –fit magnetic grille
- Long travel dog-ear mount system
- Quick connect Phoenix connector
- Low-saturation and low-loss 70/100V transformers with 8 ohm bypass
- UL2043 and UL1480A Safety Certification
- Integration with local network content storage
- Available in White with Black Grille accessory option
- Complete EASE, CLF information available on-line

## ARCHITECTS & ENGINEERS SPECIFICATION

Speaker must be low profile at 127mm (5 inches) or less in depth. Flush mounted using dog mount system. Additionally, the paintable grilles must have a magnetic attachment system. Must be UL2043, UL1480A Certified.

Unit must be able to be transformed into a pendant format via accessory kit



## SPECIFICATIONS

<b>Speakers</b>	1 X 89mm(3.5"), Woofer 1X 25mm (1"), Tweeter
<b>Frequency Response</b>	-10db 65 Hz -20kHz
<b>Rated Power</b>	80 Watts
<b>Rated Maximum Spl</b>	105db@i meter average, 110 db peak
<b>Sensitivity</b>	@1 W, 1m:84db
<b>Coverage</b>	150 degrees conical coverage
<b>TRANSFORMER TAPS</b>	70V = 3,5,7,15,30,8ohms 100 V = 7,15,30,NC,8ohms
<b>INPUT CONNECTOR TYPE</b>	Phoenix connector , Parallel output
<b>Operating Environment</b>	Designed for indoor use
<b>OPERATING TEMPERATURE RANGE</b>	-20 to 50 C (-4 to 122 F)
<b>Cutout Dimension</b>	152mm (6") diameter
<b>Net Weight</b>	2.2kg (5 lb)
<b>Dimensions</b>	182mm (7.1") DIA x 126mm(4.9") H
<b>Packaging Dimensions</b>	230x197x197 mm (9x7.7x7.7 in)
<b>Included Accessories</b>	Phoenix connector, white grille
<b>Optional Accessories</b>	Black Grille, Square White Grille, Square Black Grille, Pendant kit-White, Pendant Kit -Black
<b>Safety</b>	UL2043, UL1480A

# BCS300

## CEILING NETWORK STREAMING SPEAKER



The Bluesound Professional BCS300 PoE+ powered network active loudspeaker with integrated streaming capability is designed specifically for use in commercial installations. With built-in streaming and amplification, it efficiently delivers audio to its desired destination in a discreet and simplified manner. The player in the BCS300 is based on the established BluOS platform and is capable of playing and distributing content from local network storage as well as from a large number of streaming services, including some specifically designed for commercial use such as SoundMachine, Custom Channels, Qsic and SiriusXM Music for Business. As well as stand-alone use, it is possible to use a pair of BCS300 speakers in stereo configuration. Use of the BCS300 in a larger BluOS system is also possible, allowing for grouping into user-definable groups of whatever size is required with other BCS300 units and/or any other connected Bluesound Professional players on the network in an installation.

The BCS300 features a 3.5" LF driver and a 1" HF driver powered by a 23W high efficiency amplifier including a low power standby mode. The frequency response of the speaker is 45Hz to 20kHz and the THD+N of the system is 0.003% at full rated power. High efficiency electronics and drive units provide a maximum SPL of 102dB (using PoE+).

Control of the speaker can be accomplished by any Windows/Mac computer as well as any iOS/Android phone or tablet and the Bluesound Professional CP100 wall mount controller. Third party control is also possible with any of the leading systems. Security provisions prevent any unauthorized control of the system.

The PoE+ power supply makes this player easy to install in minutes with one Ethernet cable and eliminates the cost of providing an AC mains receptacle typical for all powered speakers.

## FEATURES

- Full-range network streaming speaker system
- 3.5" LF driver and 1" HF driver
- 45Hz -20kHz frequency range
- 0.003% THD+N at full rated power
- Maximum SPL of 102db (PoE+)
- DSP providing equalization and other audio processing
- 2 x BCS300's can pair in stereo configuration
- Flexible and unlimited grouping of zones within a BluOS system
- Integration with local network content storage
- Integration with many streaming services including Custom Channels, SoundMachine, Qsic, SiriusXM Music for Business, Spotify, Tidal and Qobuz
- Integration with a wide variety of internet radio platforms
- PC/Mac, iOS/Android and third-party control
- Security preventing unauthorized control
- Specialist Bluesound Professional control panels
- Support of hi-res audio up to 192kHz/24 bit
- Support of MQA content
- Streaming via ethernet for increased reliability with PoE+ providing one-wire connectivity and power
- UL2043
- White magnetic grille included and optional black grille available
- Available in Black with White Grille
- Optional BCS Pendant Kit available in Black or White

## ARCHITECTS & ENGINEERS SPECIFICATION

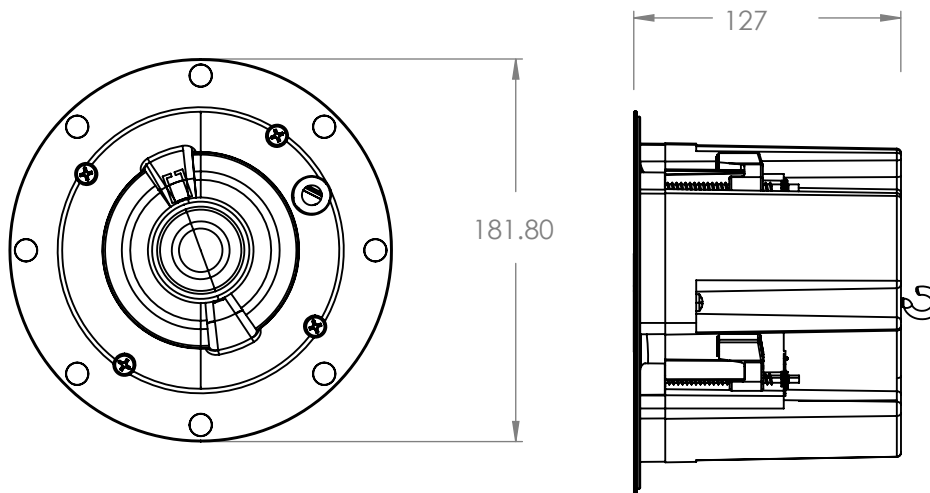
The network streaming speaker shall allow for the playing of material from network attached drives and a wide variety of streaming services including Custom Channels, SoundMachine, Qsic, SiriusXM Music for Business, Spotify, Tidal and Qobuz as well as internet radio platforms such as TuneIn and iHeart Radio. The network speaker shall support files up to 192kHz and 24-bit resolution as well as MQA encoded files. Control of the unit shall be possible from PC or Mac computers, Android and iOS mobile devices and third-party control systems. In addition, there shall be the provision for the connection of dedicated wall mount remote control panels to allow for local control of zones. The network speaker shall be based on the BluOS platform and shall be compatible with other BluOS devices to form a complete and integrated ecosystem including flexible grouping and control of zones. Networked speakers shall also be able to be paired in stereo combinations.

The network streaming speaker shall have a 3.5" woofer and 1" tweeter. The power amplifier shall be a high efficiency 23W unit with a maximum SPL of 102dB (using PoE+), built-in DSP for equalization and other audio processing. Streaming shall be via wired ethernet for increased reliability.

The unit shall have no controls to prevent unauthorized adjustment and control of the unit shall incorporate security to prevent unauthorized access via other devices. The power for this player shall be provided via PoE+.

The speaker shall be held in place with support dogs, and use a 152mm (6 ") cut out. Unit must be able to be transformed into a pendant format via accessory kit.

The network streaming speaker shall be the Bluesound Professional BCS300.



## SPECIFICATIONS

## CONNECTIVITY

<b>AUDIO</b>		<b>Network</b>	
Supported File Formats	MP3, AAC, WMA, OGG, WMA-L, ALAC, OPUS	Ethernet RJ45, 100BaseT	
Hi-Res formats	FLAC, MOA, WAV, AIFF	<b>Power</b>	PoE+ IEEE 802.3 at Type 2-30W
Native Sampling Rates	32-192KHZ	<b>User Interface</b>	USER INTERFACE
Bit Depths	16-24	<b>Mobile Operating System</b>	BluOS-Free Android and IOS App Available Online at Google Play and Apple App Store
<b>PERFORMANCE</b>		<b>GENERAL</b>	
Frequency Response	-10db 45Hz-20kHz	<b>Processor</b>	ARM® CORTEX™ A53 1.8GHz
Distortion	THD+N-0.030% (20hz-20khz at Rated Power)	<b>Unit Weight</b>	123kg/2.7lb
Power Output	23 Watts total system power at 0.030% THD	<b>Gross Dimensions</b>	182mm (7.1") DIA x 126mm(4.9") H 152 mm (6") cut out required 152mm (6 inch) diameter
Speakers	1x 89mm (3.5"), Woofer	Cutout Dimension	
Supported Operating Systems	1x 25mm (1"), Tweeter Plays music from network shares on the following desktop operating systems: Microsoft Windows 2000 and newer and Apple Macintosh 7 and newer.	(Idle) Storage	-10°C to 50° C, 20% to 80% relative humidity
<b>Free Internet Radio</b>	TuneIn Radio, iHeartRadio, Calm Radio, Radio Paradise, LiveXLive	<b>Environment Finish</b>	Available in Black with White Grille
<b>Supported Cloud Services</b>	SoundMachine, Tunify, Custom Channels, SiriusXM for Business, Spotify, Tidal, Amazon, Deezer, Qobuz, TuneIn, Radio.com and many others	<b>Safety</b>	UL2043
<b>Integration Partners</b>	Control4, RTI, Crestron, URC, QSYS, push, ELAN, Lutron		
<b>Album Art</b>	JPG		