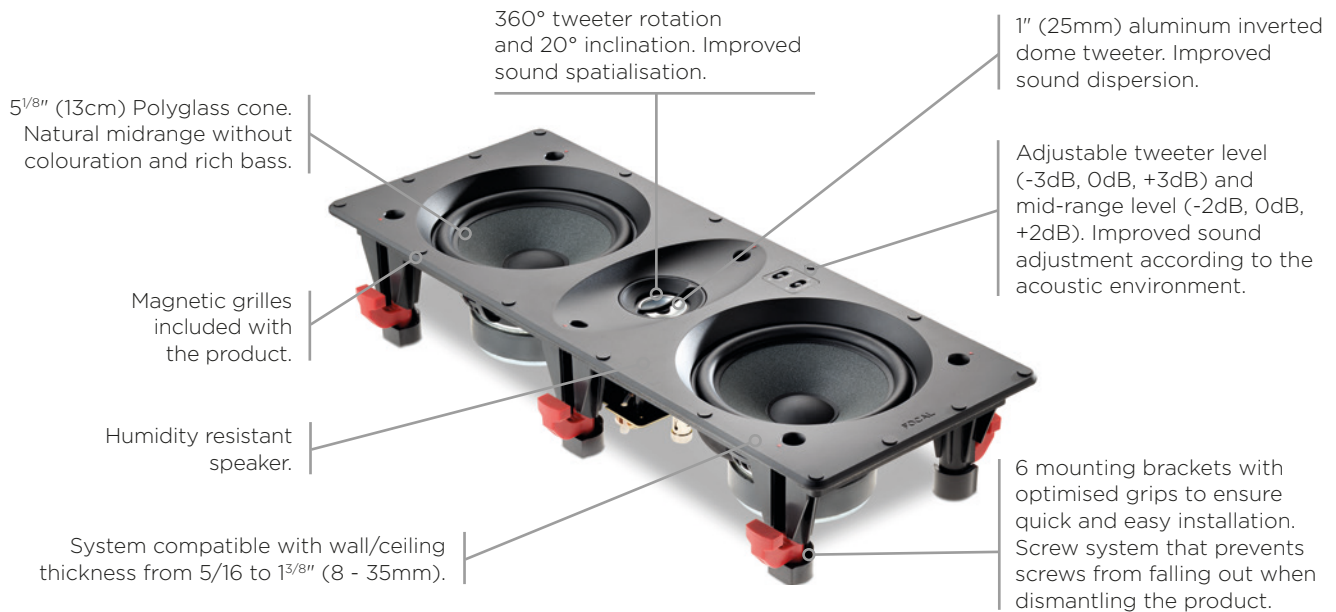


100IWLCR5

Product Data Sheet



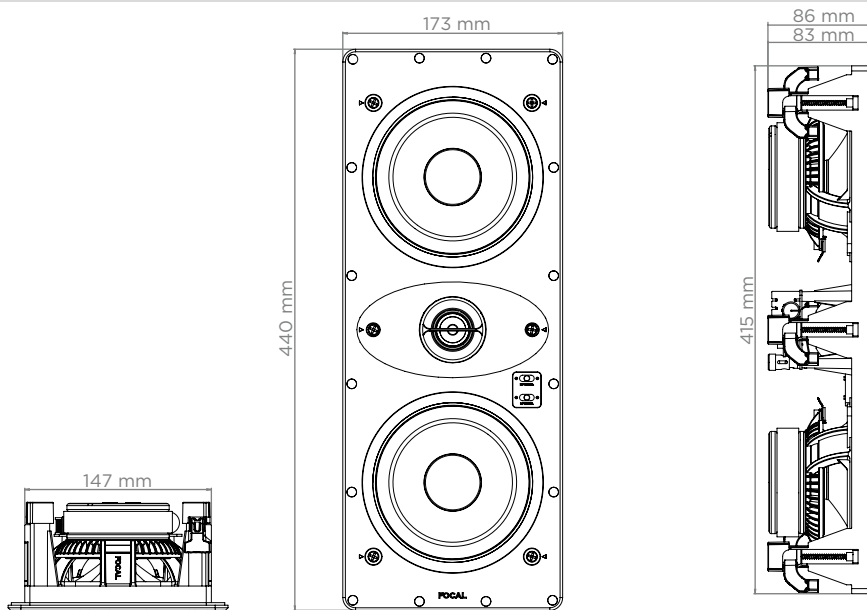
Key Points

- Product designed and developed in France by Focal
- Compact product with shallow mounting depth
- Possible to connect two loudspeakers to the same amplifier output
- Ready-to-paint grille

Technical Specifications

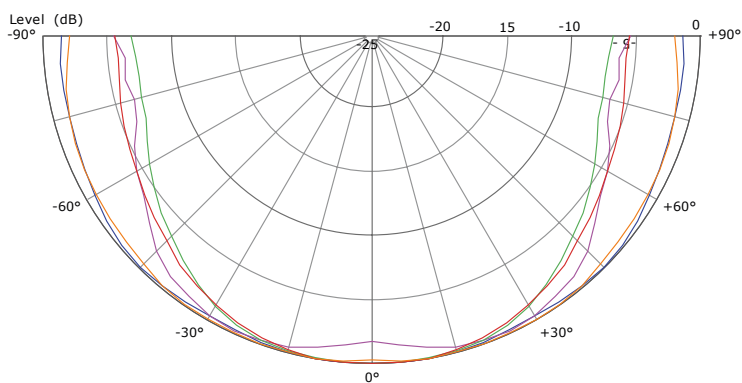
Type	D'Appolito In-wall 2-way
Drivers	2x5" (13cm) Polyglass Midbass 1" (25mm) Al inverted dome Tweeter
Sensitivity (2.83V/1m)	90,5dB
Frequency response (+/-3dB)	55Hz-23kHz
Low frequency point (-6dB)	43Hz
Nominal impedance	8Ω
Minimal impedance	3.8Ω
Recommended amplifier power	25-120W
External dimensions (Ø/Depth)	17 5/16" x 6 13/16" x 3 3/8" (440x173x86mm)
Cut-Out diameter	16 5/16" x 5 13/16" (415x147mm)
Depth from wall	3 1/4" (83mm)
Net weight (with front grille)	3.89lbs (2.90kg)
Packing dimensions (WxDxH)	19 3/16" x 8 11/16" x 4 11/16" (487x220x119mm)
Total weight (with packaging)	7.6lbs (3.45kg)

Dimensions

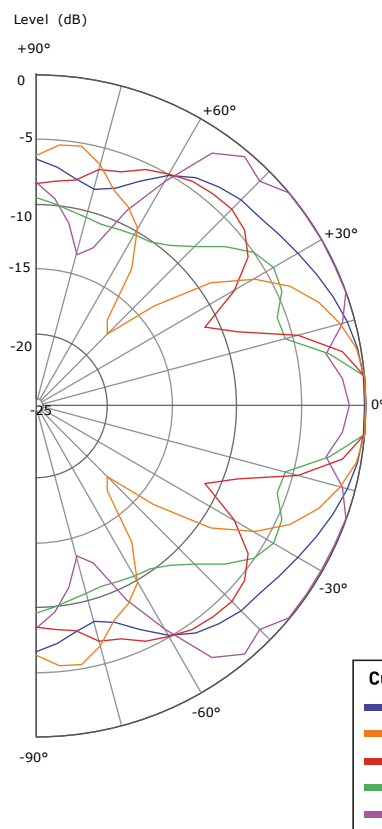


Measurements Directivity

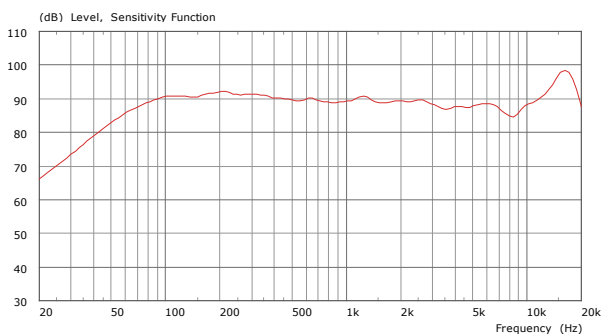
Horizontal



Vertical



Frequency Response



100IWLCR5 Speaker level Calculation Table

Power/Distance	1m	2m	5m
1W (2.83V)	91dB	85dB	77dB
5W (8.94V)	101dB	95dB	87dB
10W (12.6V)	104dB	98dB	90dB
20W (15.5V)	106dB	100dB	92dB

Summary	125Hz	250Hz	500Hz	1kHz	2kHz	4kHz	8kHz
SPL (2.83V/1m) (dB)	91	92	90	89	89	87	87
Opening Angle at -6dB	180°	180°	180°	180°	180°	120°	140°