

SIB EVO WALL MOUNT

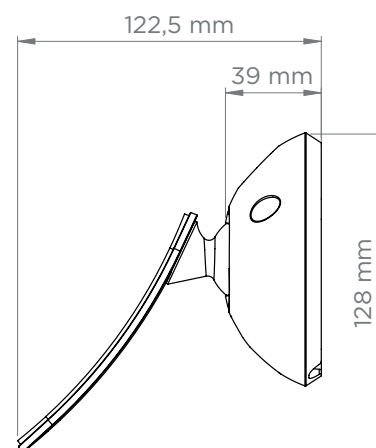
Product Sheet

These wall mounts are compatible with Sib Evo and Sib Evo Dolby Atmos® loudspeakers. With their Black High Gloss finish, they are the perfect match for the lines of these satellite speakers. These wall mounts blend in discretely with any décor.



Key points

- Black High Gloss finish
- Adjustable wall mount horizontally and vertically
- Grap to tidy and hide wires
- Available in 5.1 and 5.1.2 packs (x2)
- Sold separately, optional



Reference	Sib Evo Wall Mount
Article code	EACCKIMO11
Pack size (LxPxH)	18 x 12 x 7cm
Net weight	0.10kg

Accessories provided

- 3 x screws and wall plugs for securing the mounts to the wall
- 1 x tool for locking the mounts in place once the desired orientation has been decided on

