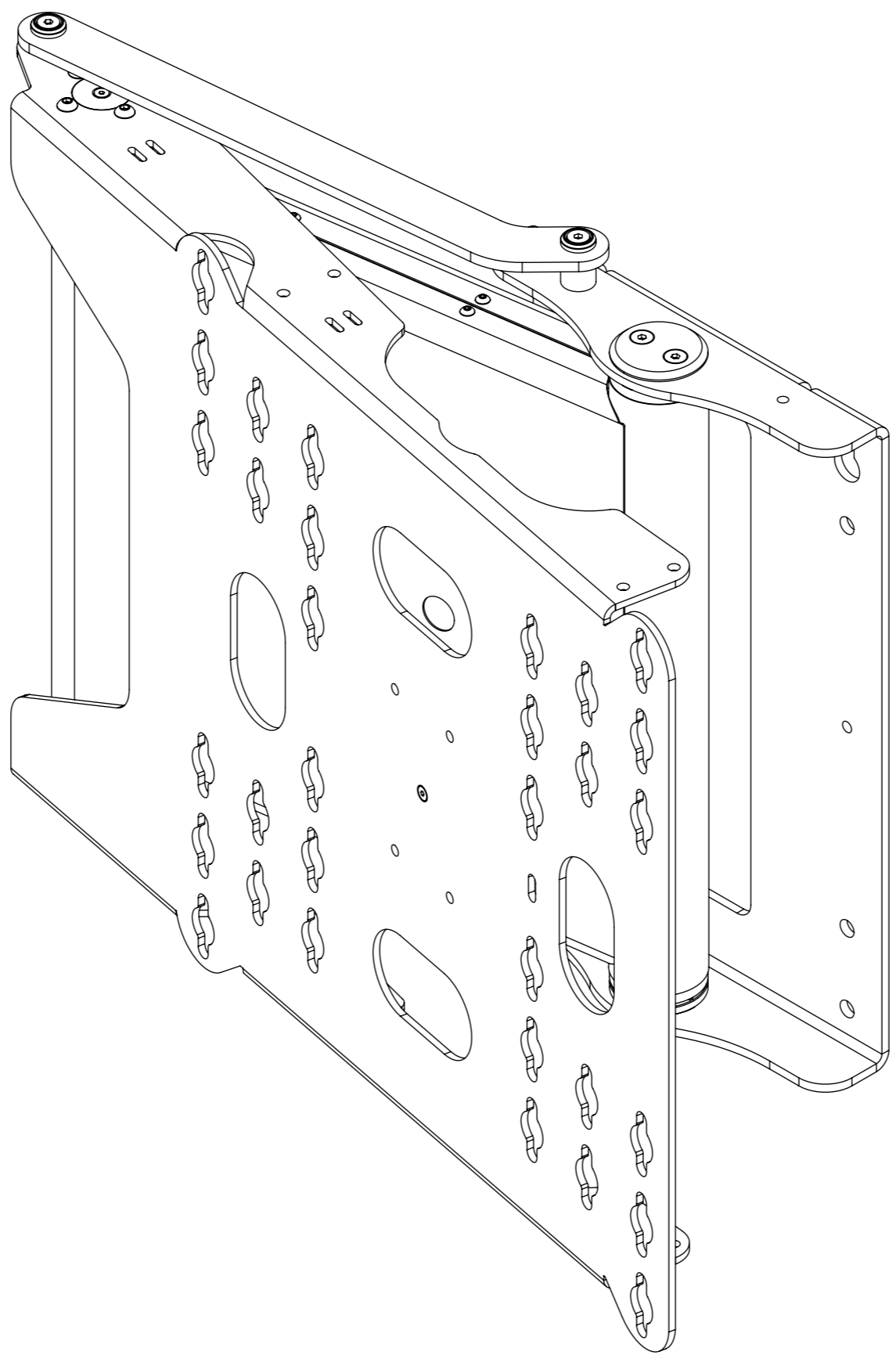


PSE90

ELECTRIC WALL BRACKET



future automation



PSE90

ELECTRIC WALL BRACKET



future automation

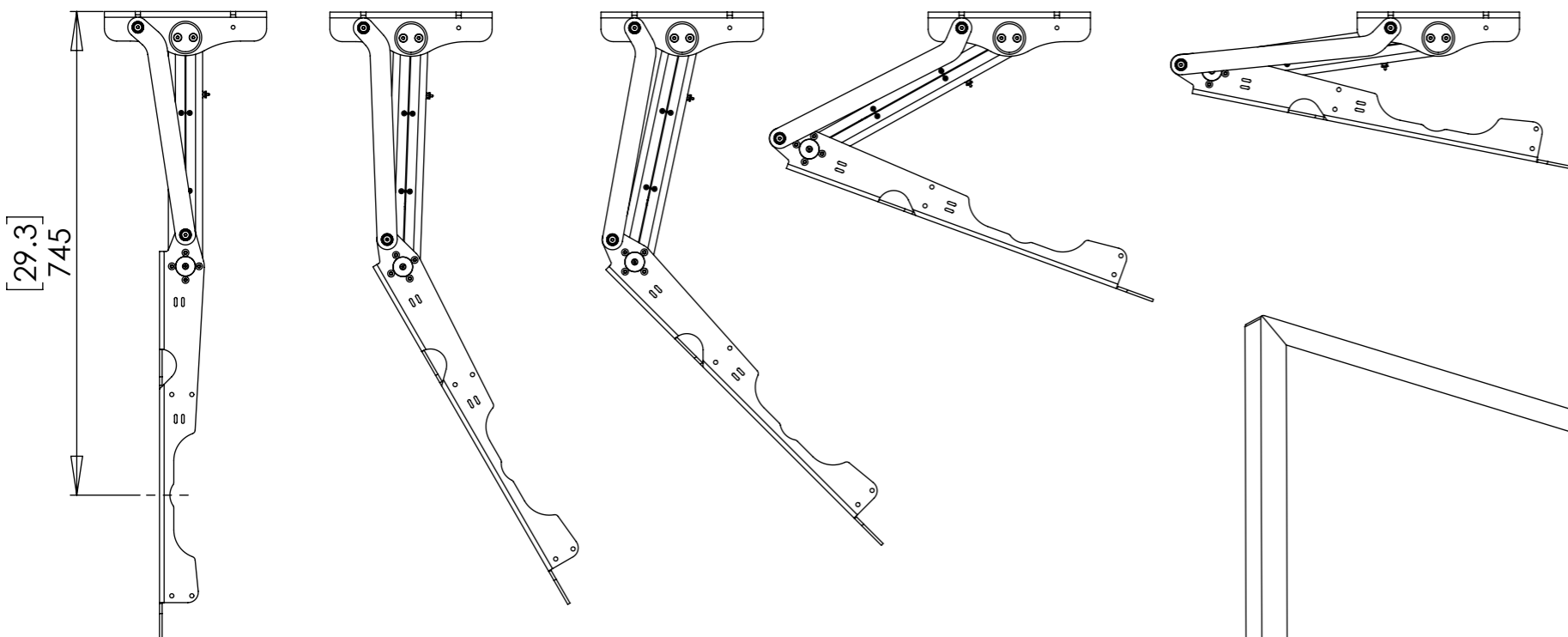
SPECIFICATION	MEASUREMENTS
Product Dimensions	642mm (25.3") x 443mm (17.4") x 80mm (3.1")
Maximum Screen Size	1100mm (43.3") W @ 90° - 1640mm (64.6") W @ 60°
Maximum Weight Capacity	60Kg (132lb)
Maximum Speed	25mm/s
Maximum Extension From Wall	745mm (29.3") to screen centre
Depth From Wall	80mm (3.1")
Product Weight	20Kg (44lb)
Packaging Dimensions	780mm (30.7") x 600mm (23.6") x 210mm (8.3")
Shipping Weight	24Kg (53lb)
Maximum Rotation	90° - one direction (CW or CCW)
Movement Type	Motorised
Power Supply Required	110V - 240V AC
Power Consumption Max.	120W
Power Consumption Standby	3W
Mounting Patterns Supported	VESA 400, 300, 200 W x 400, 300, 200 H
Control Options	IR Remote, RS232, Contact Closure
Product Options / Features	Specific B&O and Loewe mounts / adapters, Custom RAL paint finishes, Marine suitable version
Package Contents	Mechanism, IR remote control
Marine Suitable	No

PSE90

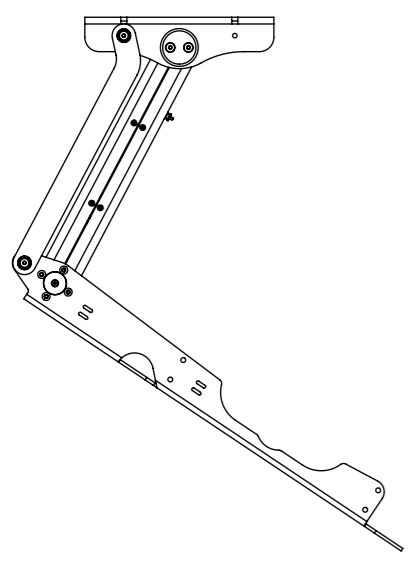
ELECTRIC WALL BRACKET



future automation

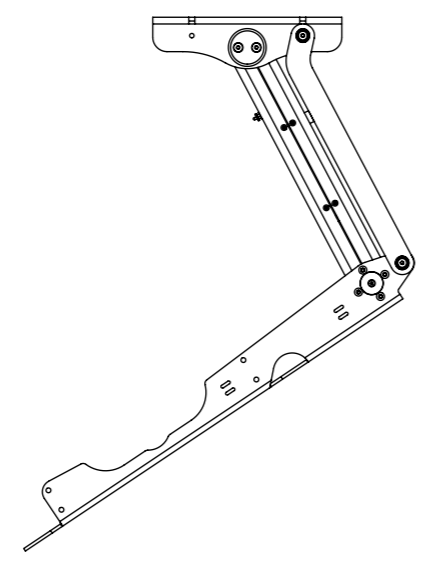


**ORDER CODE
PSE90-CW**

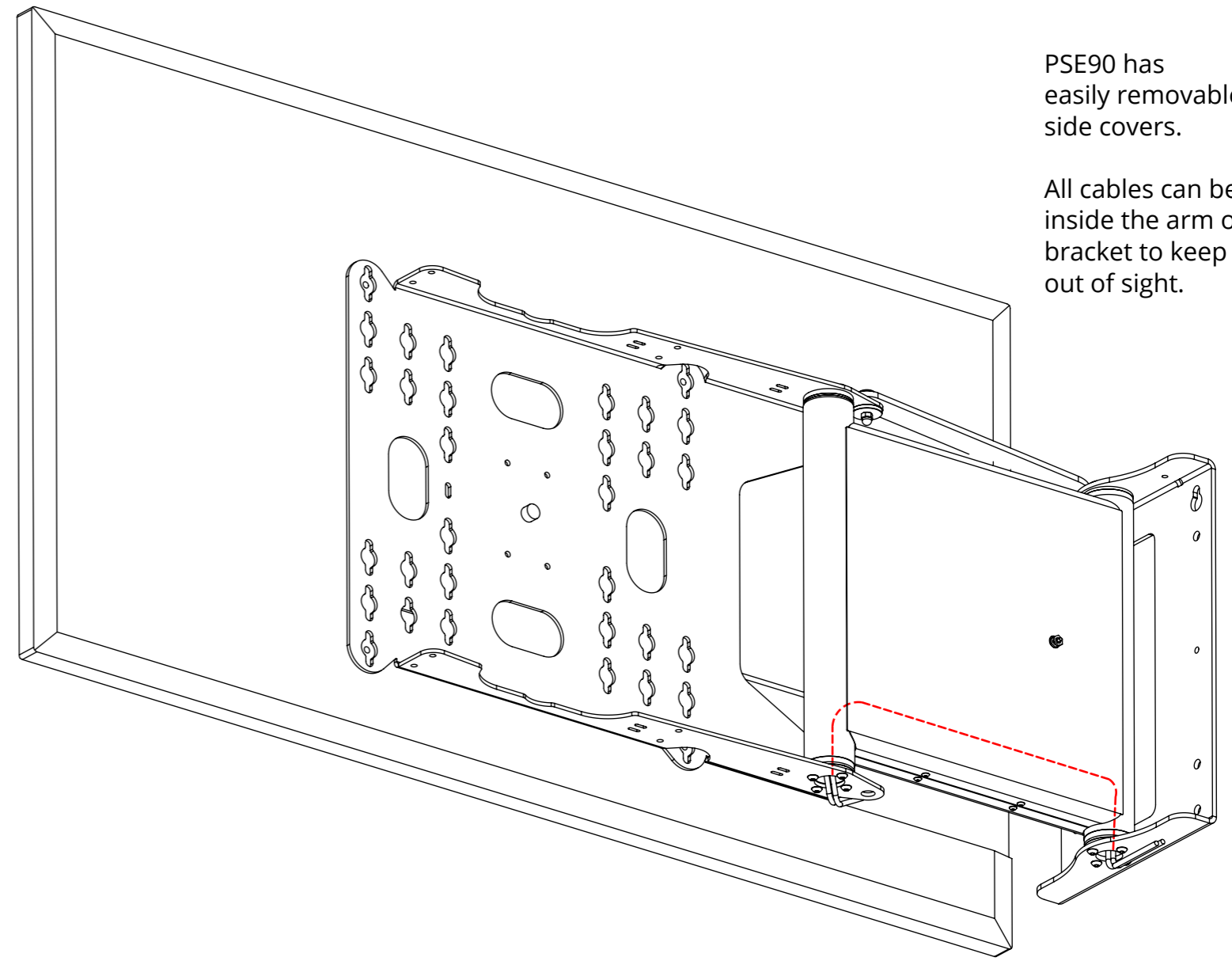


**Clockwise
Movement**

**ORDER CODE
PSE90-CCW**



**Counter-Clockwise
Movement**

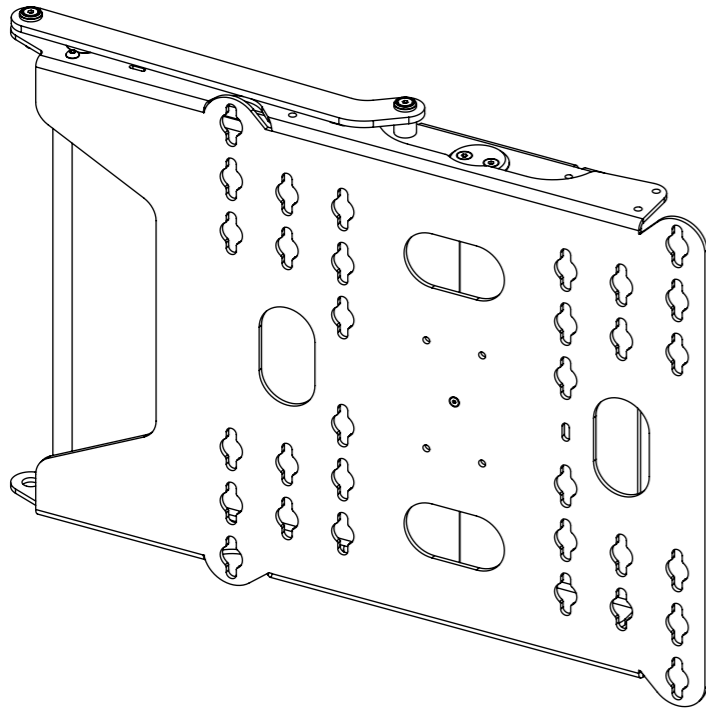


PSE90 has easily removable side covers.

All cables can be run inside the arm of the bracket to keep them out of sight.

PSE90 ELECTRIC WALL BRACKET

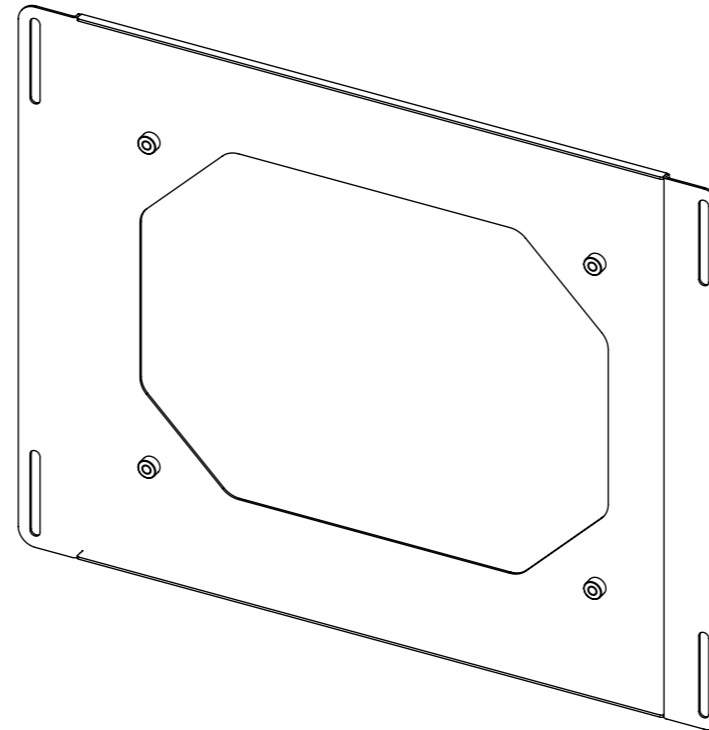
SCREEN MOUNTING OPTIONS



V400 STANDARD

Standard PSE90 mount is a VESA 400 mount plate. Compatible with VESA patterns-

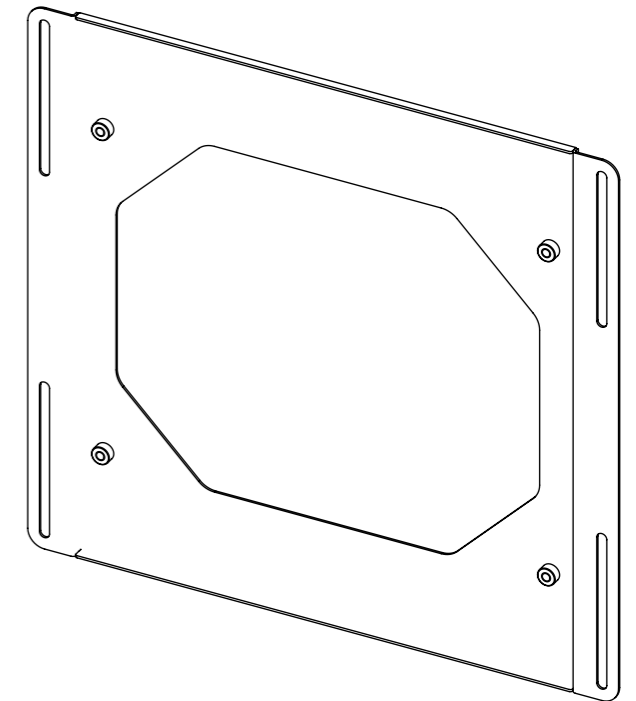
- 400 x 400
- 400 x 300
- 400 x 200
- 300 x 300
- 200 x 200



VARIOUS ADAPTER PLATES AVAILABLE

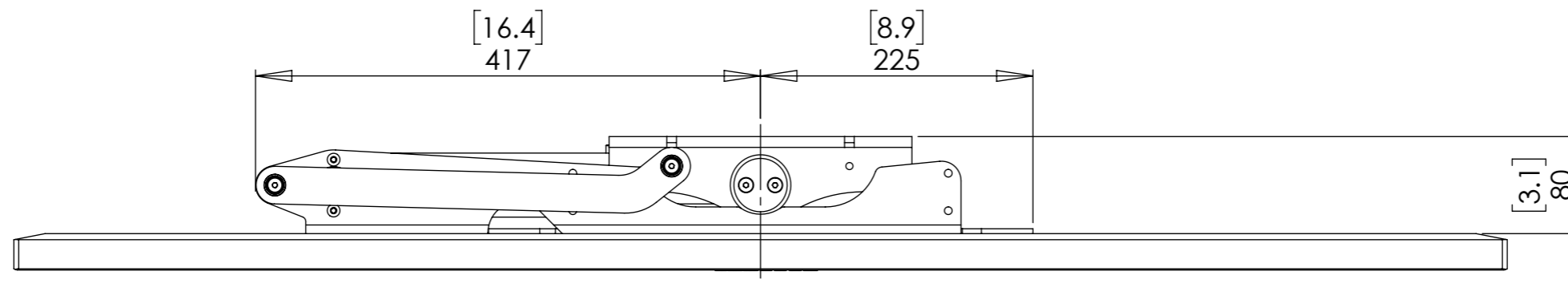
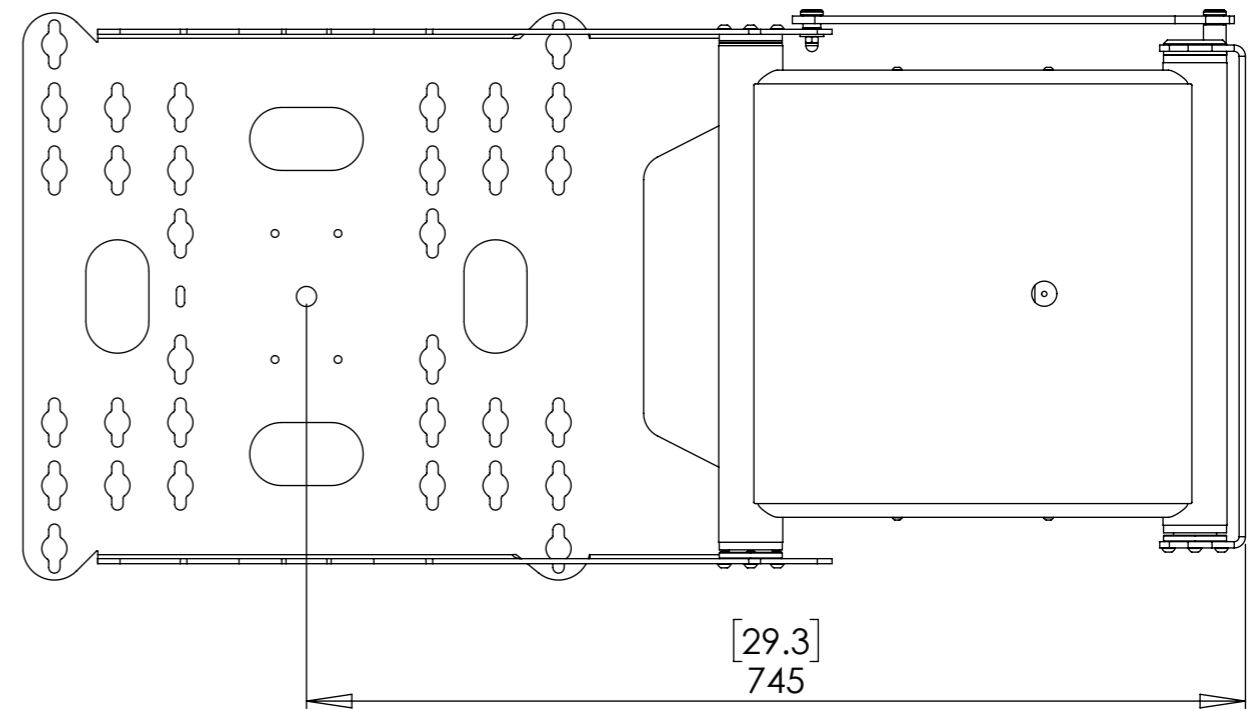
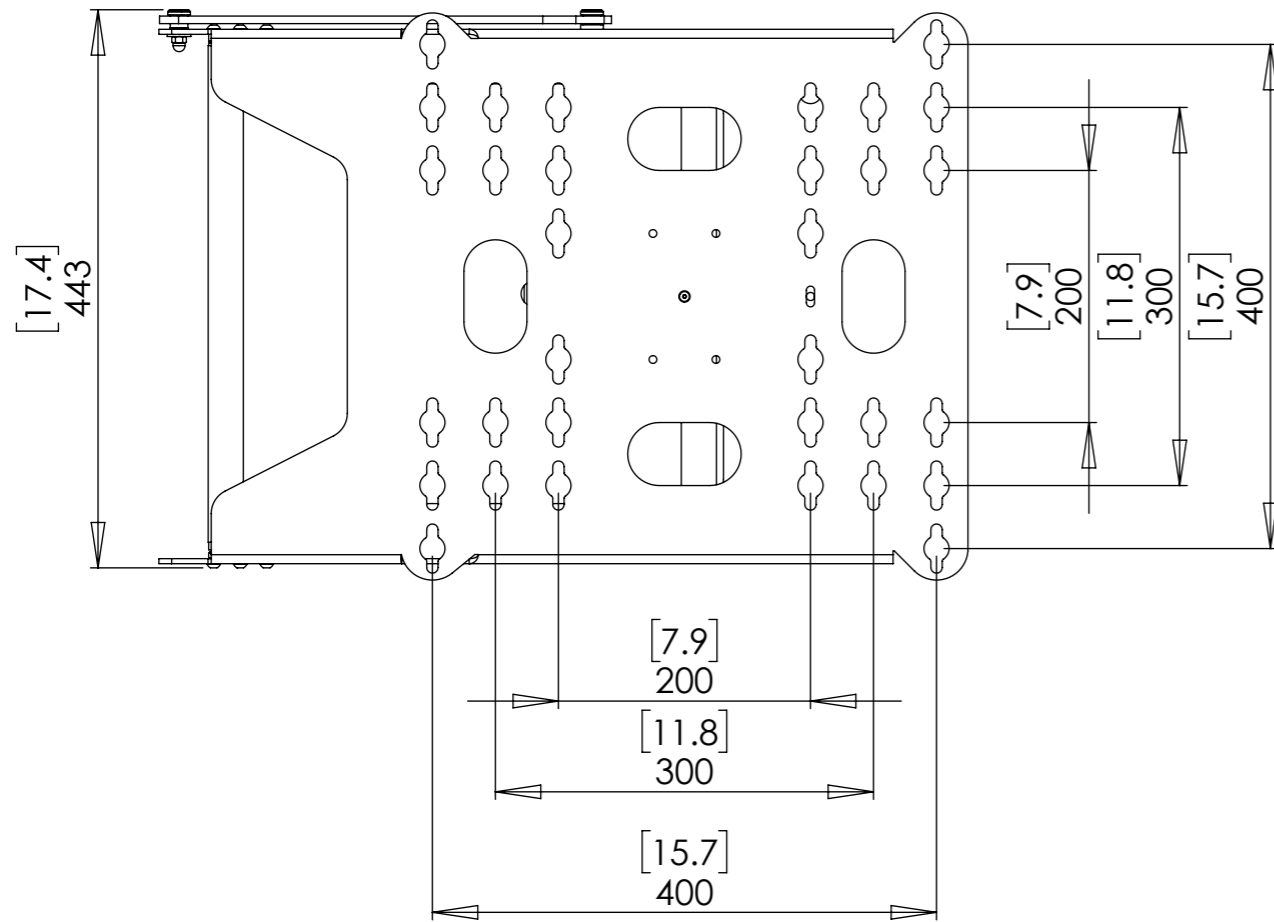
Standard adapter plates available for the PSE90 include the following.

- 684 x 300
- 660 x 320
- 600 x 400
- 500 x 300



PSE90 ELECTRIC WALL BRACKET

BRACKET DIMENSIONS



PSE90 ELECTRIC WALL BRACKET

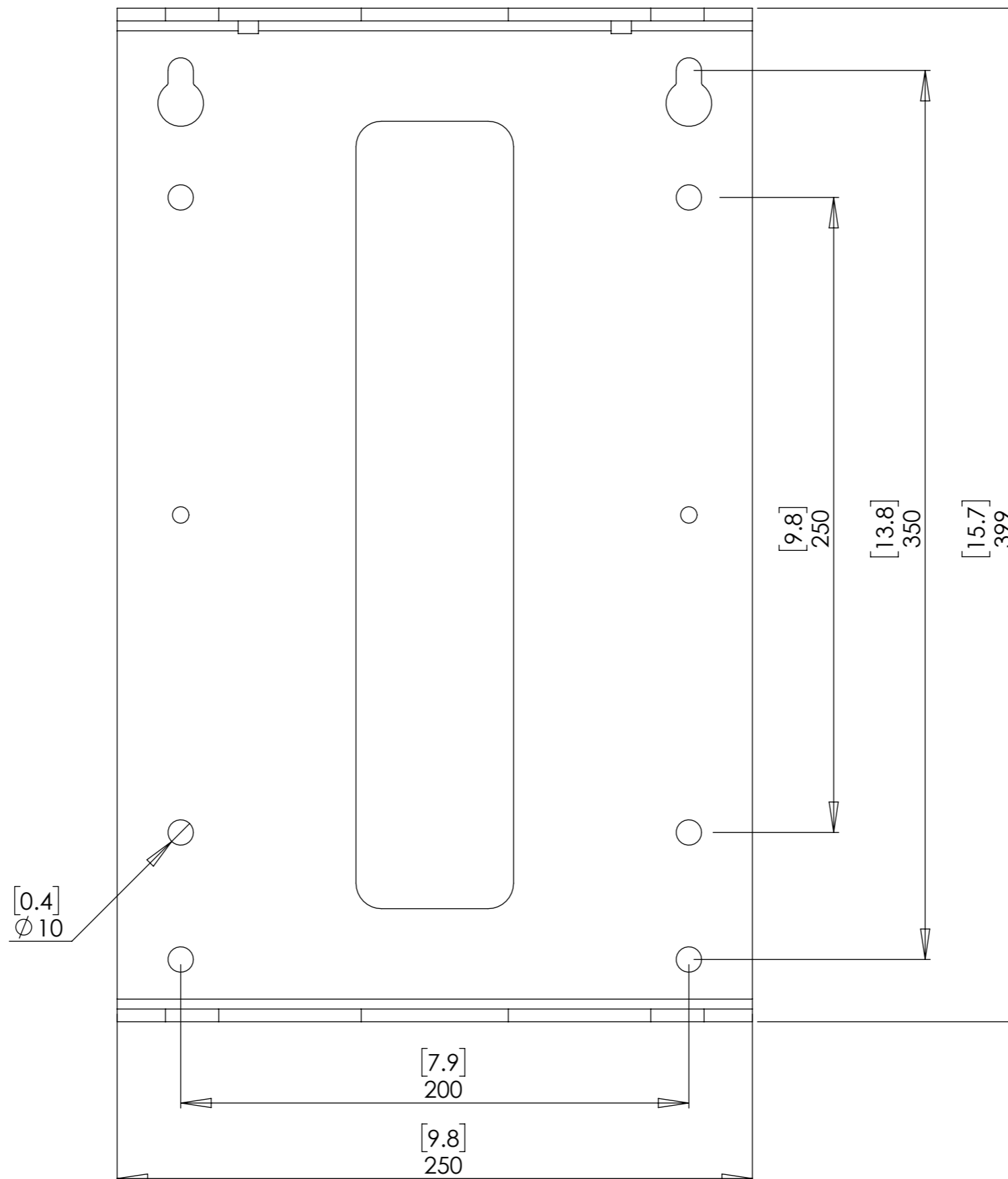


WALL PLATE DIMENSIONS

Dimensions apply for all variants of the PSE90.

NOTE:

Centre line for screen is central to the PSE90 wall plate.



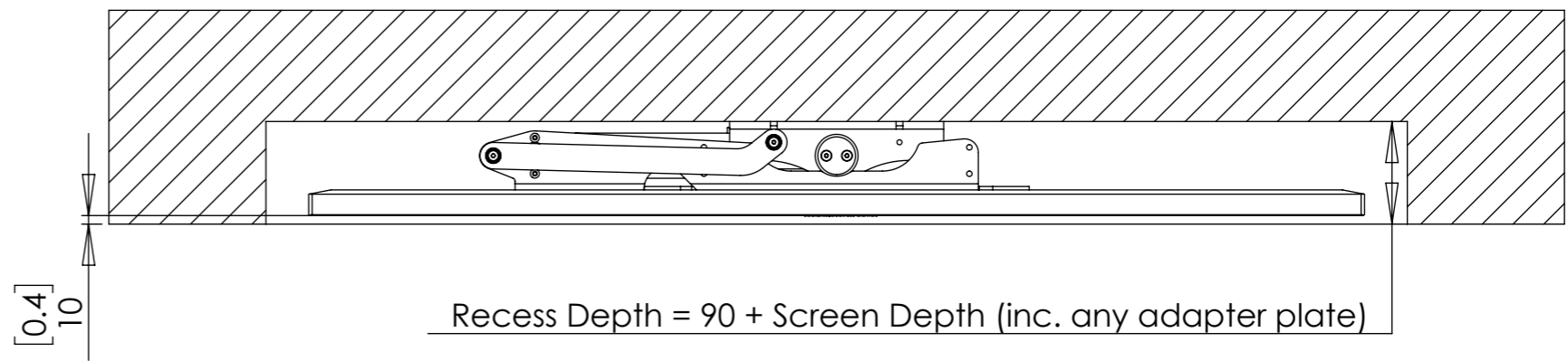
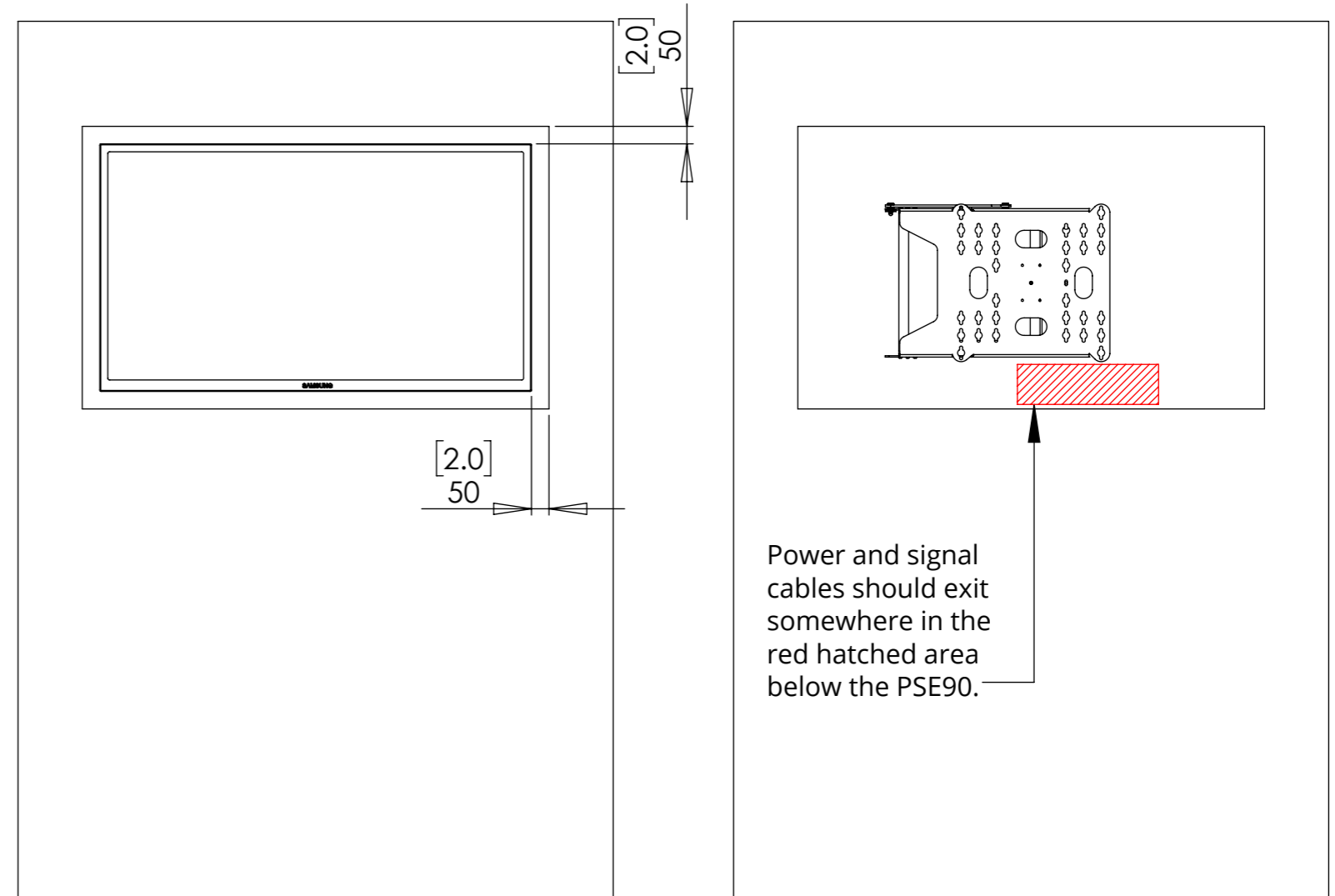
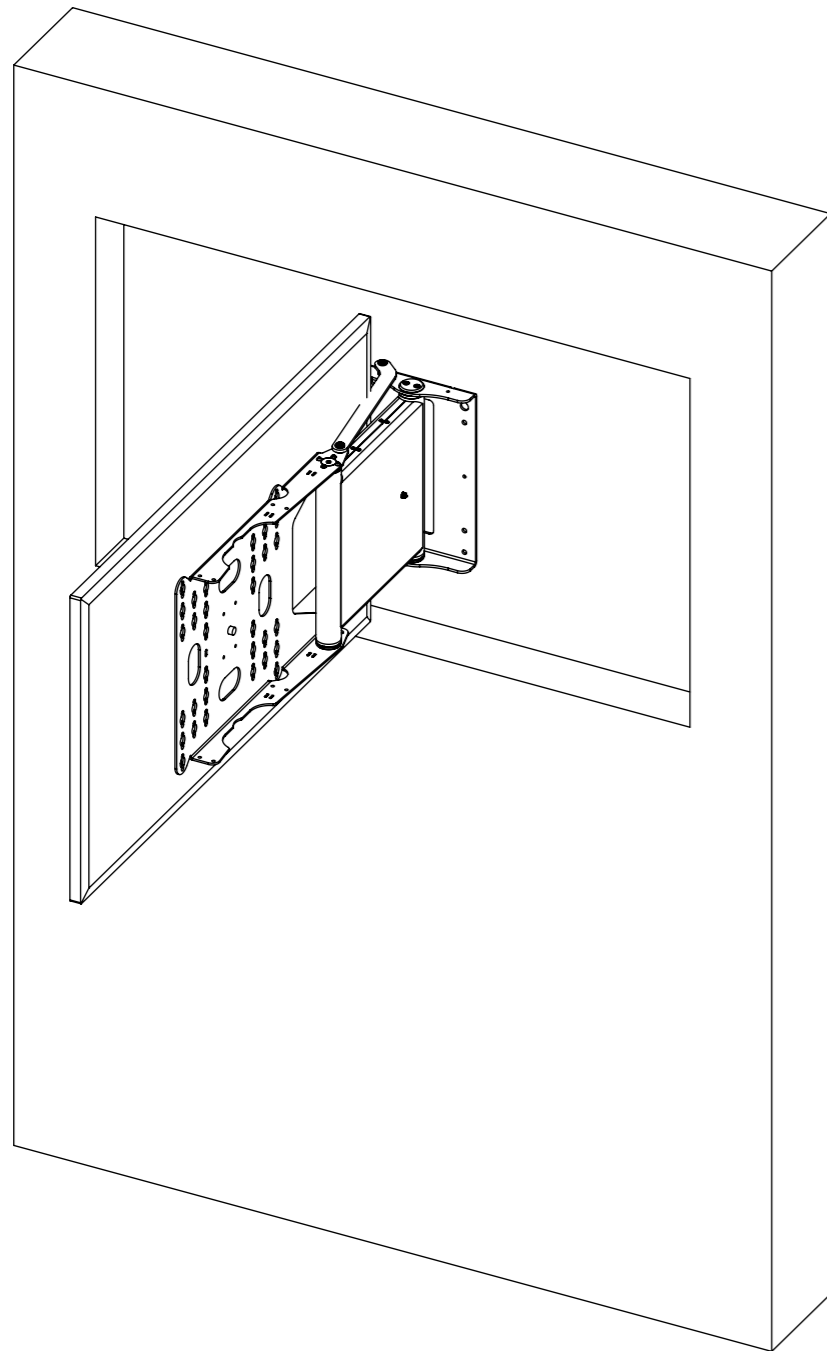
PSE90 ELECTRIC WALL BRACKET



RECESS MOUNTING

A minimum of 50mm [2"] gap should be left all round between the screen and the recess to allow for ventilation.

The gap to the left and right side of the screen can not be reduced. The screen would hit the edge of the recess as it swings out otherwise.



PSE90 ELECTRIC WALL BRACKET



RECESS MOUNTING

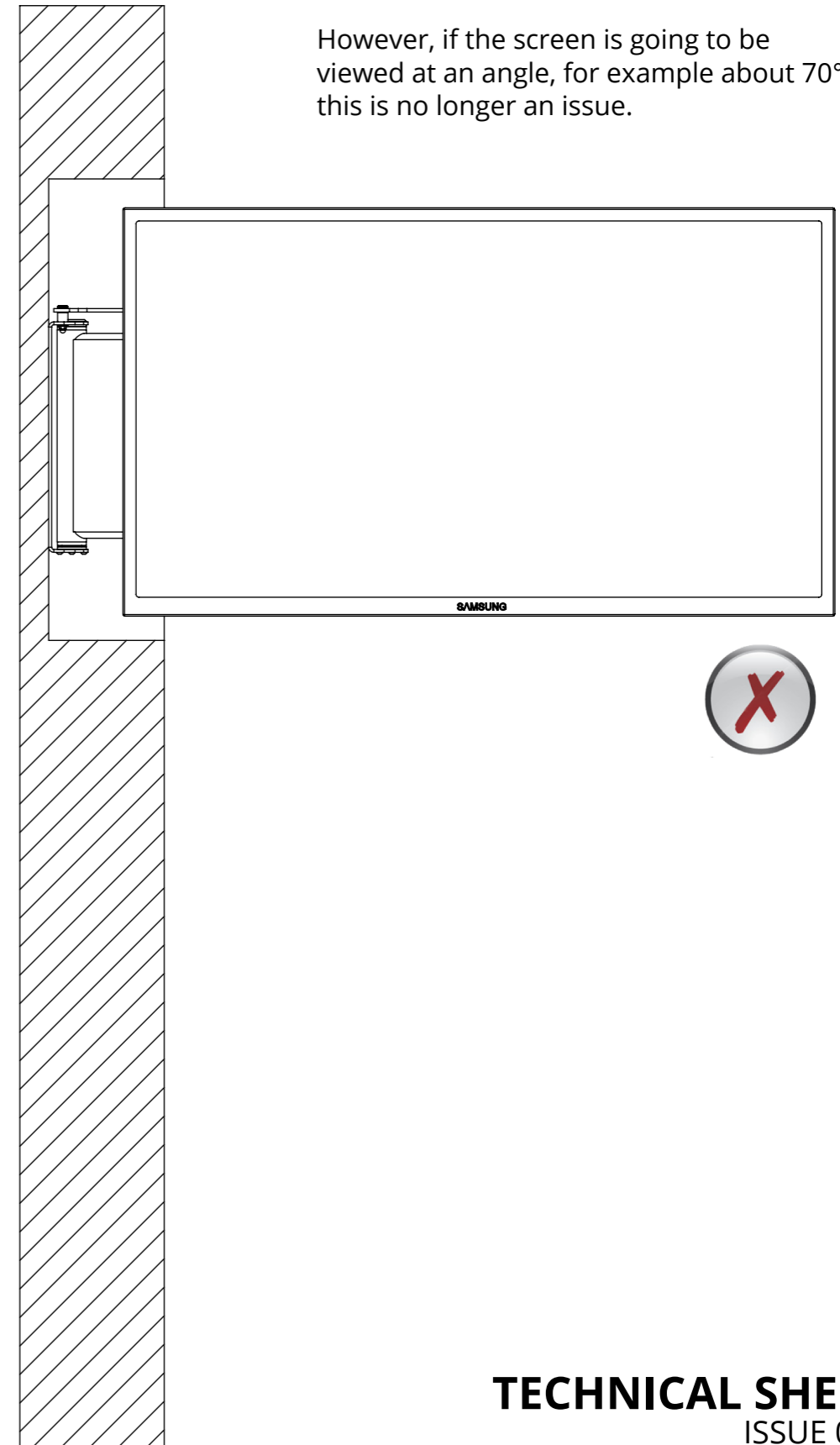
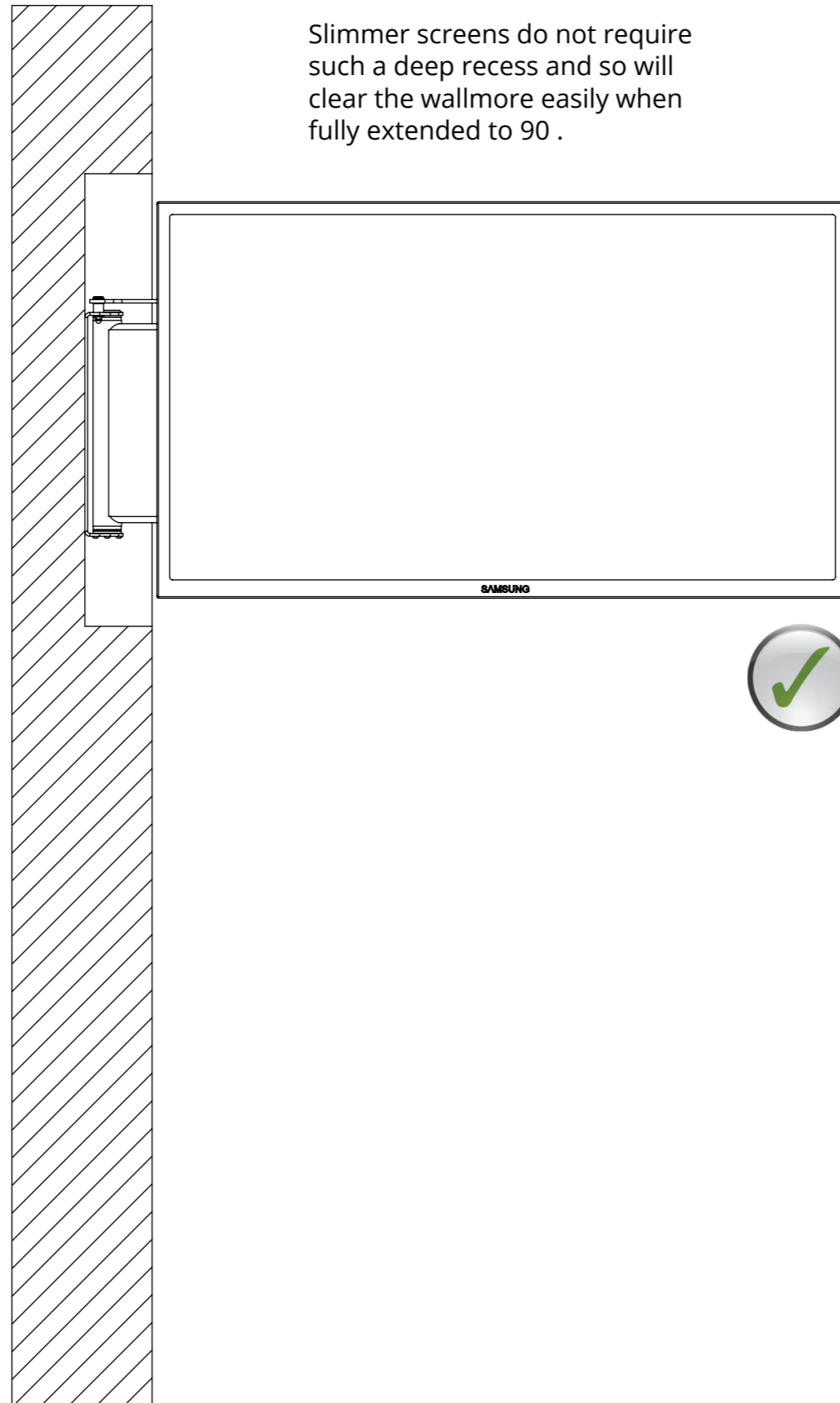
It is important to check the screen dimensions before planning to mount the PSE90 within any kind of recess.

Some screen sizes may simply not be possible to mount in a recess.

These diagrams show how:



Deeper screens require a deeper wall recess which could obstruct viewing if screen rotated to 90°.

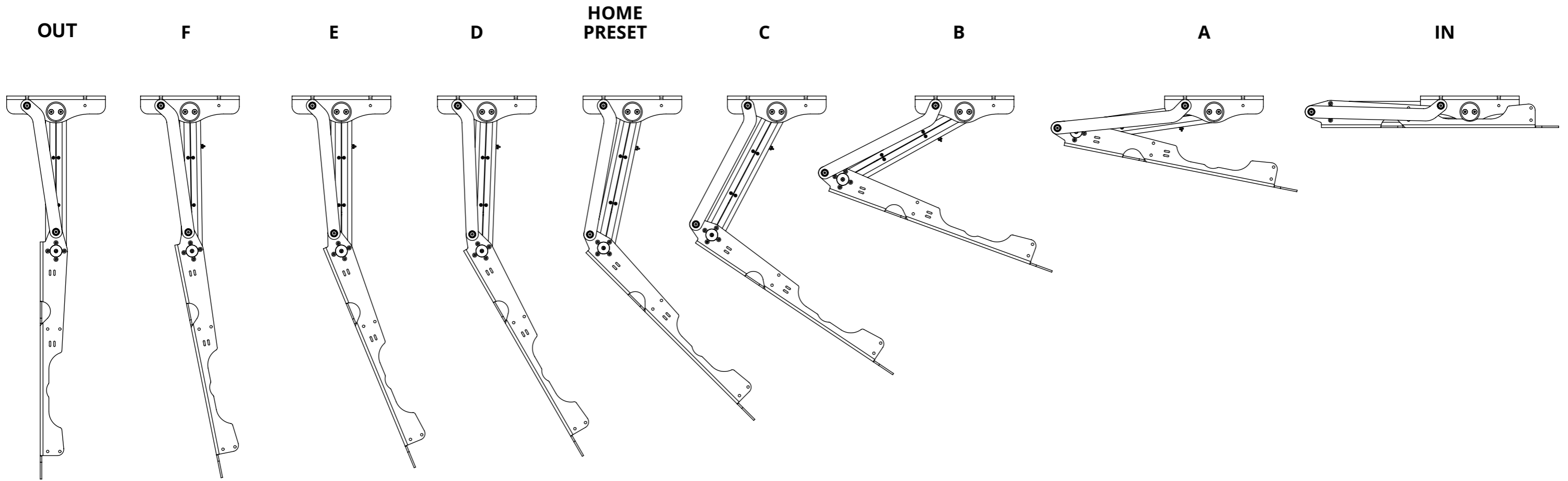


PSE90 ELECTRIC WALL BRACKET



BRACKET SETUP

BRACKET MOVEMENT AND PRESET OPTIONS



A number of preset positions are set in the mechanism which are shown above with the corresponding letter on the remote control.

These positions can be changed apart from the IN and OUT.

PSE90

ELECTRIC WALL BRACKET



MAX SCREEN VIEWING ANGLES

Below shows the maximum possible screen width with the PSE90 in the 60 and 90 viewing angles.

