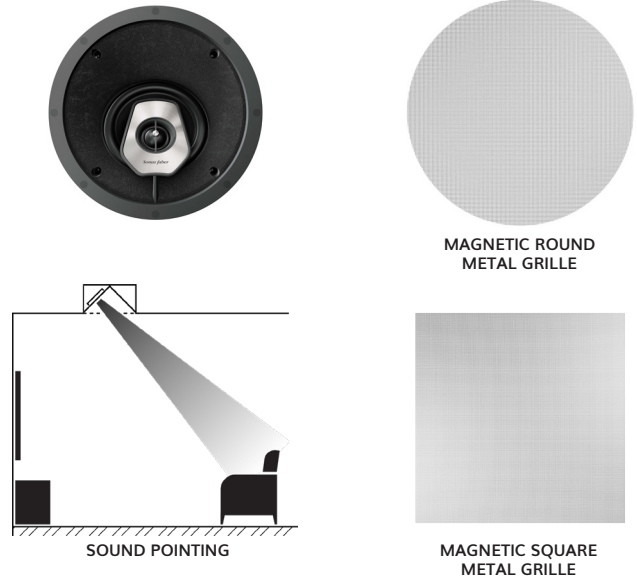


MAIN FEATURES

- FAMILY FEELING :**
The PC-562 P directly refers to the Sonetto Collection for the choice of materials, the electroacoustic project and design. The satin aluminum trim that frame the tweeter recalls the aesthetic of the "Voice of Sonus faber".
- SOUND POINTING :**
Whenever front speakers cannot be placed on walls, this model is made to be mounted in the ceiling. By positioning drivers to be angled to the surface, the sound emission aims to the direction of the listening position.
- MAGNETIC GRILLES :**
The PC-562 P is equipped with a magnetic edgeless round metal grille, ready to be painted. The square metal grille is optionally available.
- QUICK INSTALLATION :**
Thanks to the swing out dogs fixing system, all Palladio speakers can be secured quickly and effectively to plasterboard.



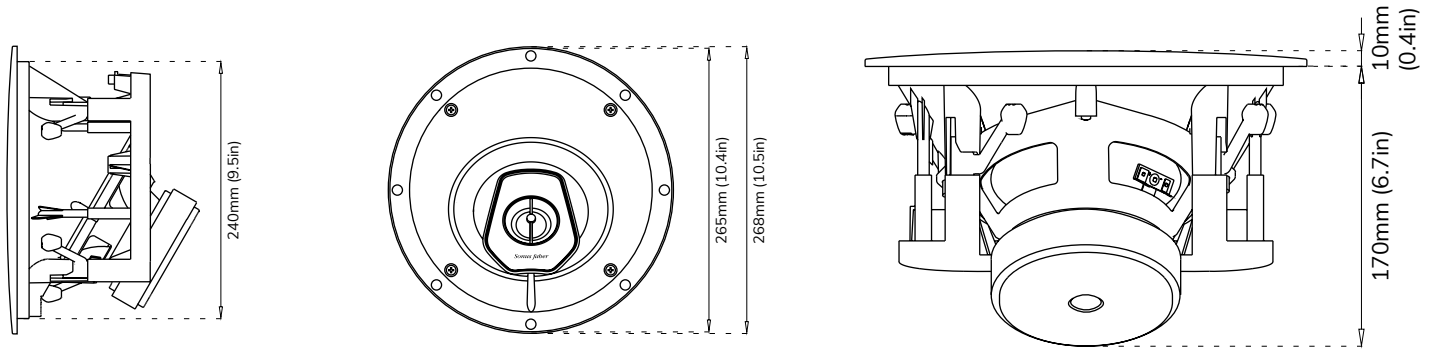
MID-WOOFER :
The custom diaphragm is made in natural fiber and cellulose pulp, according to the most natural sound.



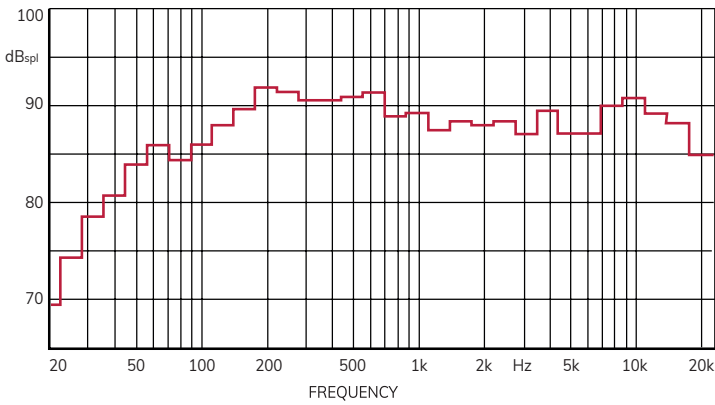
TWEETER :
DAD™ (Damped Apex Dome) silk dome tweeter.

PARACROSS TOPOLOGY™
The anti-resonant design of the x-over network features the Paracross Topology™ circuitry, to guarantee a better definition and purity of sound.

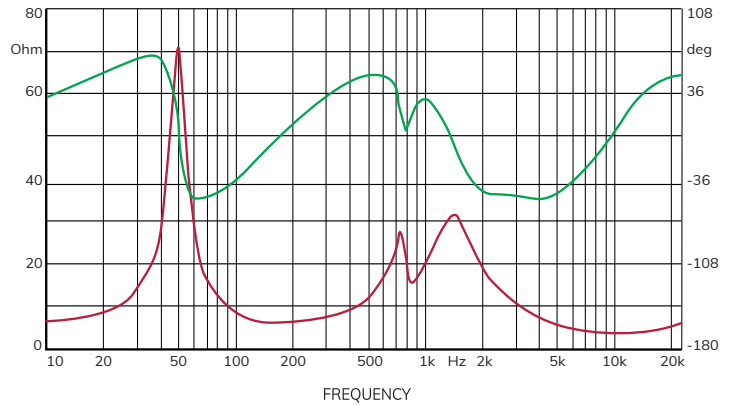
LOUDSPEAKER SYSTEM	Two-way point In-ceiling system. Infinite baffle
TWEETER - DAD™ DRIVER	29 mm / 1.1 in
MIDWOOFER	165 mm / 6.5 in
CROSSOVER FREQUENCY - PARACROSS TOPOLOGY™	3,000 Hz
FREQUENCY RESPONSE	50 – 25,000 Hz
SENSITIVITY (2.83 Vrms @ 1m)	90 dB _{SPL}
NOMINAL IMPEDANCE	4 Ω
COVERAGE ANGLE (1 kHz, @-6 dB)	± 60° H - ± 60° V
SUGGESTED AMPLIFIER POWER OUTPUT	40 – 200W without clipping
LONG-TERM MAX INPUT VOLTAGE (IEC 60268-5)	20 Vrms
FRAME OUTER	Ø 265.2 mm / 10.4 in
CUT OUT	Ø 244 mm / 9.6 in
DEPTH BEHIND SURFACE	170 mm / 6.70 in
PROTRUSION	10 mm / 0.40 in
NET WEIGHT	3.2 Kg / 7 lb
<ul style="list-style-type: none"> INCLUDED IN THE BOX 	Bezel-Free round magnetic grille
<ul style="list-style-type: none"> ADDITIONAL FITTINGS 	Pre-mount kit
	Bezel-Free square magnetic grille



THIRD OCTAVE AXIAL RESPONSE @1m



IMPEDANCE [MODULE AND PHASE]



AMPLIFIER OUTPUT POWER REQUIREMENTS VS. LISTENING DISTANCE (PER SINGLE CHANNEL) *

	LISTENING DISTANCE [m]						
	1.50	1.75	2.00	2.50	3.00	3.50	4.00
W CONTINUOUS (RMS)	1.4	1.9	2.5	4	5.7	7.8	10
W PEAK	2.9	3.9	5.1	7.9	11.4	15.5	20

* [FOR A DIRECT SPL=85 dB; 1 kHz SINE TONE]

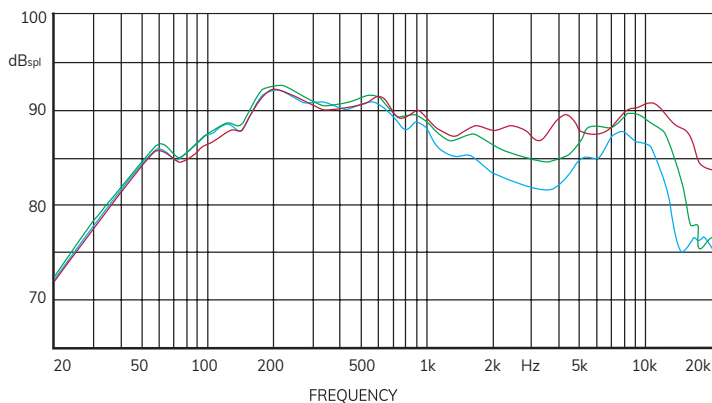
	LISTENING DISTANCE [m]						
	1.50	1.75	2.00	2.50	3.00	3.50	4.00
W CONTINUOUS (RMS)	11.3	15.4	20.1	32	45	62	80
W PEAK	45	60	80	125	180	246	320

* [FOR A DIRECT SPL=85 dB; IEC TEST SIGNAL SIMULATING A NORMAL PROGRAM]

The huge difference between the values depends on the signals that have been considered in the two examples. A simple sine tone is the most elementary one while the IEC signal is quite complex. In a real world, while the first could conveniently represent the power needs for speech, the second gives an idea of the power needs for wide frequency range, large headroom music.

HORIZONTAL DISPERSION [@1m WITH 2.83 VRMS]

--- 45° ; --- 30° ; --- 0°



VERTICAL DISPERSION [@1m WITH 2.83 VRMS]

--- 45° ; --- 30° ; --- 0°

