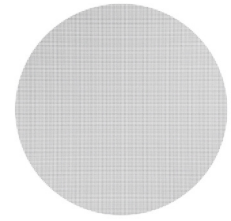
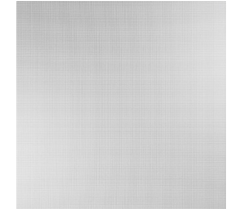


MAIN FEATURES

- FAMILY FEELING :**
The PC-582 directly refers to the Sonetto Collection for the choice of materials, the electroacoustic project and design. The satin aluminum trim that frame the tweeter recalls the aesthetic of the "Voice of Sonus faber".
- MAGNETIC GRILLES :**
The PC-582 is equipped with a magnetic edgeless round metal grille, ready to be painted. The square metal grille is optionally available.
- QUICK INSTALLATION :**
Thanks to the swing out dogs fixing system, all Palladio speakers can be secured quickly and effectively to plasterboard.



MAGNETIC ROUND METAL GRILLE



MAGNETIC SQUARE METAL GRILLE

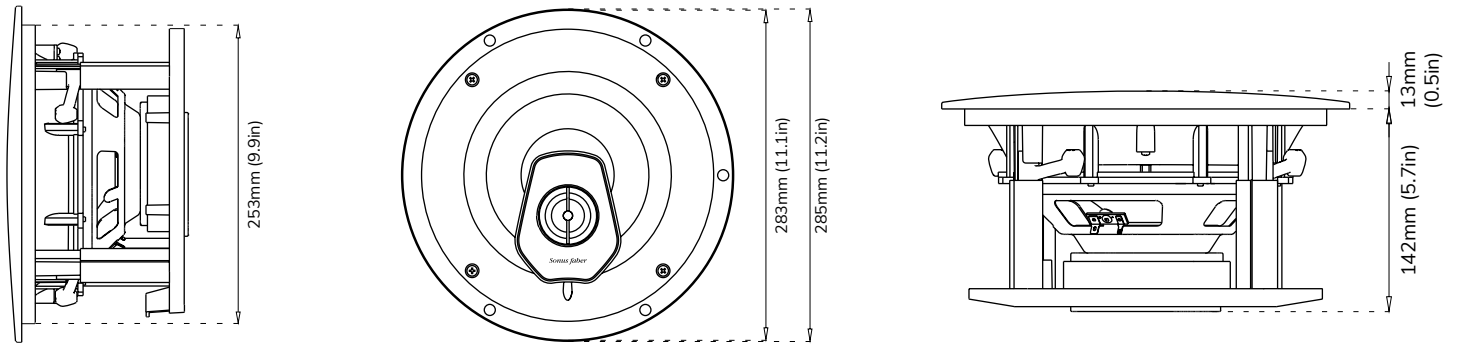
MID-WOOFER :
The custom diaphragm is made in natural fiber and cellulose pulp, according to the most natural sound.

TWEETER :
DAD™ (Damped Apex Dome) silk dome tweeter.

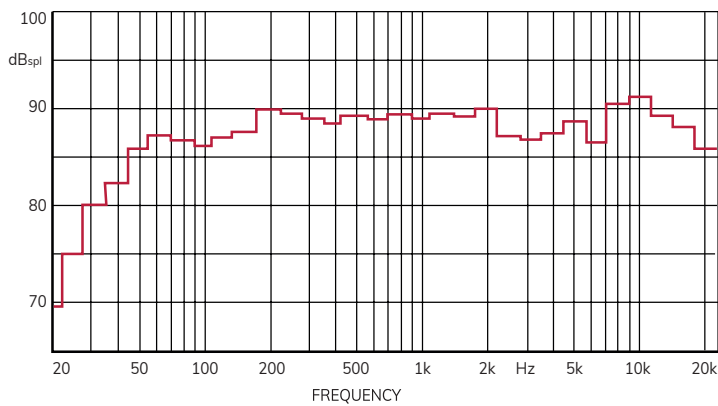


PARACROSS TOPOLOGY™
The anti-resonant design of the x-over network features the Paracross Topology™ circuitry, to guarantee a better definition and purity of sound.

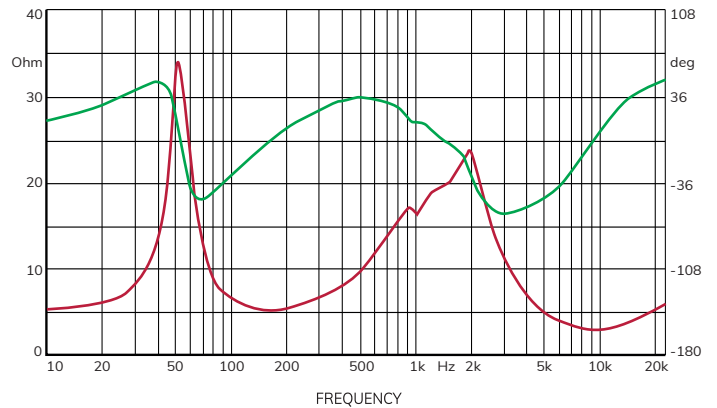
LOUDSPEAKER SYSTEM	Two-way In-ceiling system. Infinite baffle
TWEETER - DAD™ DRIVER	29 mm / 1.1 in
MIDWOOFER	200 mm / 8 in
CROSSOVER FREQUENCY - PARACROSS TOPOLOGY™	3,000 Hz
FREQUENCY RESPONSE	45 - 25,000 Hz
SENSITIVITY (2.83 Vrms @ 1m)	90 dBsPL
NOMINAL IMPEDANCE	4 Ω
COVERAGE ANGLE (1 kHz, @-6 dB)	± 60° H - ± 60° V
SUGGESTED AMPLIFIER POWER OUTPUT	40 – 200W without clipping
LONG-TERM MAX INPUT VOLTAGE (IEC 60268-5)	20 Vrms
FRAME OUTER	Ø 283 mm / 11.1 in
CUT OUT	Ø 257 mm / 10.1 in
DEPTH BEHIND SURFACE	139 mm / 5.5 in
PROTRUSION	13 mm / 0.51 in
NET WEIGHT	3.4 Kg / 7.5 lb
<ul style="list-style-type: none"> INCLUDED IN THE BOX 	Bezel-Free round magnetic grille
<ul style="list-style-type: none"> ADDITIONAL FITTINGS 	Pre-mount kit
	Bezel-Free square magnetic grille



THIRD OCTAVE AXIAL RESPONSE @1m



IMPEDANCE [MODULE AND PHASE]



AMPLIFIER OUTPUT POWER REQUIREMENTS VS. LISTENING DISTANCE (PER SINGLE CHANNEL) *

	LISTENING DISTANCE [m]						
	1.50	1.75	2.00	2.50	3.00	3.50	4.00
W CONTINUOUS (RMS)	1.4	1.9	2.5	4	5.7	7.8	10
W PEAK	2.9	3.9	5.1	7.9	11.4	15.5	20

*** [FOR A DIRECT SPL=85 dB; 1 kHz SINE TONE]**

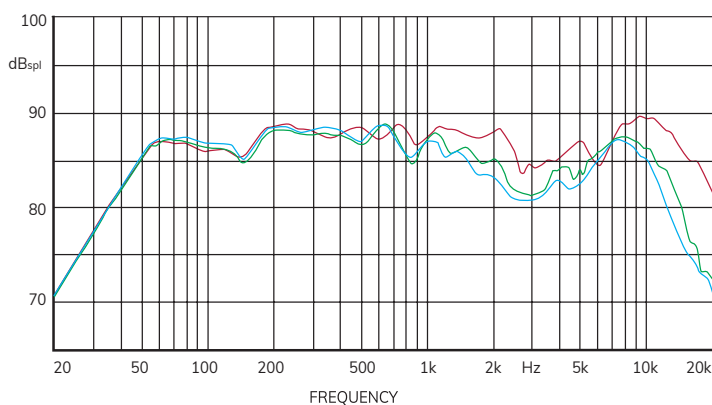
	LISTENING DISTANCE [m]						
	1.50	1.75	2.00	2.50	3.00	3.50	4.00
W CONTINUOUS (RMS)	11.3	15.4	20.1	32	45	62	80
W PEAK	45	60	80	125	180	246	320

*** [FOR A DIRECT SPL=85 dB; IEC TEST SIGNAL SIMULATING A NORMAL PROGRAM]**

The huge difference between the values depends on the signals that have been considered in the two examples. A simple sine tone is the most elementary one while the IEC signal is quite complex. In a real world, while the first could conveniently represent the power needs for speech, the second gives an idea of the power needs for wide frequency range, large headroom music.

HORIZONTAL DISPERSION [@1m WITH 2.83 VRMS]

--- 45° ; --- 30° ; --- 0°



VERTICAL DISPERSION [@1m WITH 2.83 VRMS]

--- 45° ; --- 30° ; --- 0°

